

PROCUREMENT SERVICES FROM



BuyDirectFromSuppliers.com

Manufactured in Mexico-China-Brazil-USA-Bahrain

Kitchen Hoods - HVAC - Tables - Chairs -

Sourcing - Glassware - Restaurant Decor Packages

Brent Gilbertson

Mobile: 678-361-5559

Managing Partner / Founder Brent@BuyDirectFromSuppliers.com

RDU And RCU Upblast Roof Fan

(UL705 And UL762 Test Grant)



For USA and Canada

Upblast Roof Fans Are Designed To Provide Efficient And Reliable Operation For Commercial And Kitchen Exhaust Purpose. Our Products Are Manufactured With State Of The Art Laser, Forming, Spinning And Welding Equipment And Ensure Our Quality Control Testing To Ensure Trouble Free Start-up. Our Roof Blowers Are Including Industry Leading Design Features To Ensure Your Ventilation Equipment Has The Latest Technologies Available

EVERY RCU HAS BEEN TEST FOR THREE DIFFERENT PLANES BEFORE PACKAGE.

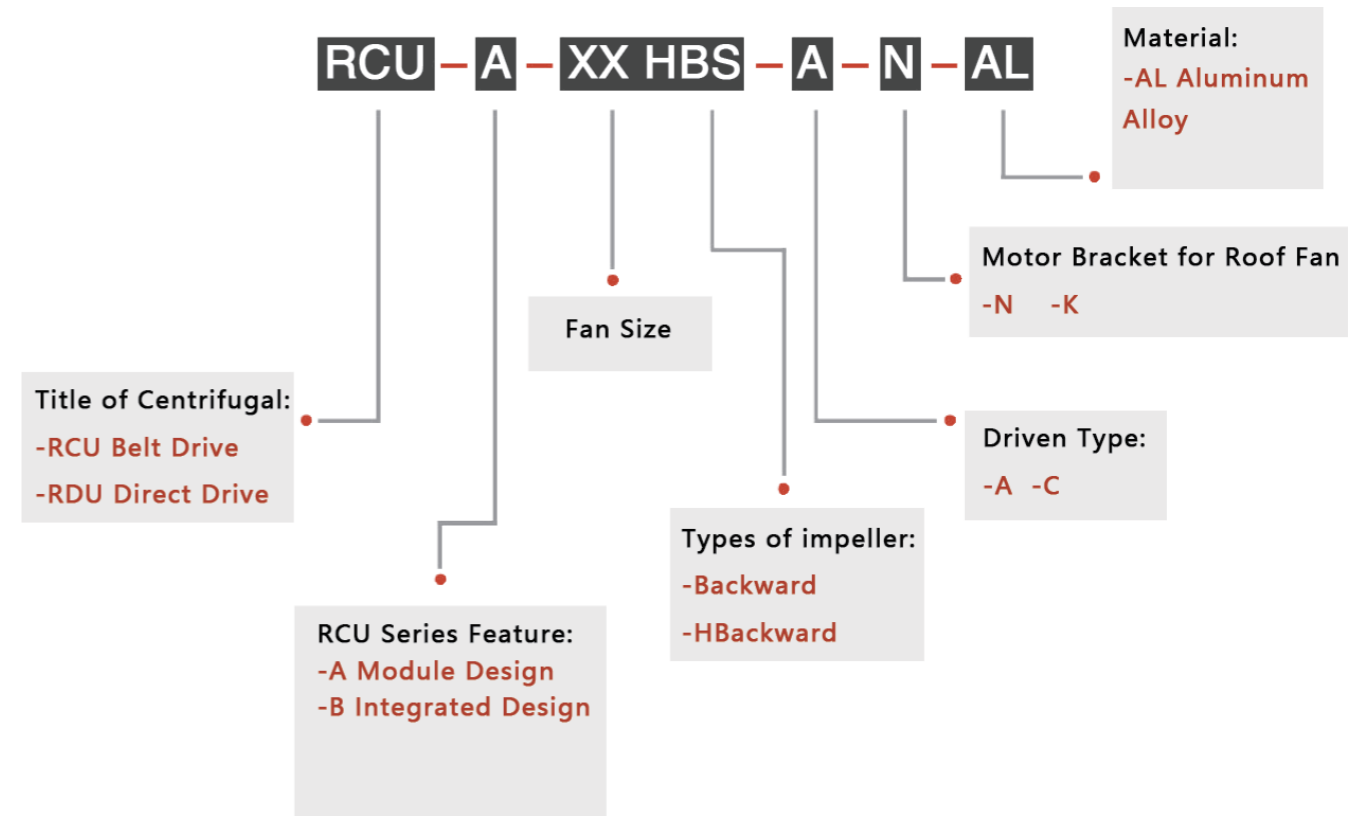
Typical application includes:

 Factory Exhaust	 Smoke Fan
 Restaurant Grease Exhaust	 Agricultural area

Main Features With RCU Series

- This Fan Can Be Used As Smoke Fan
- Working In High Temperature Environment
- Full Mold, Aluminum Alloy Structure
- Most Advanced Motor Cooling Of Blower In Its Class
- Direct Drive And Belt Drive Are Available
- Anti-explored Type Is Available
- UL705 And UL762 Test Grant
- ISO9001:2018 Controllable Standard
- The Highest Working Environment Temperature Is 320F improve The Configuration, The Maximum Working Environment Temperature Can Reach To 572F.

Mixed Fan Model Number Code



RCU Structure

Rcu Series: The Product Is Made In Aluminum Alloy, Which Is Cutting, By Laser To Ensure High-precision Mold Line. The Base Is Aluminum Alloy For One-time Stretch. Driven Cavity Cover Adopt Galvanized Material, Which Can Open With Hands, And Convenient To Daily Cleaning Maintenance. Different Ways Of Motor With Different Transmission Need To Select Different Motor Bracket. The Impeller Adopts Laser Cutting Technology And Die Stretch Forming. A Different Work Environment Needs To Adopt Different Impeller Material. Carbon Steel, Stainless Steel And Aluminum Alloy Impeller Are Optional. The Surface Of The Impeller Adopts Industrial Spraying. Impeller Balance Test Grades Are In Strict Accordance With The G4.0 ISO1940, And Meet Its Requirements. In This Series, Roof Blower Use Aluminum Alloy Wheel.

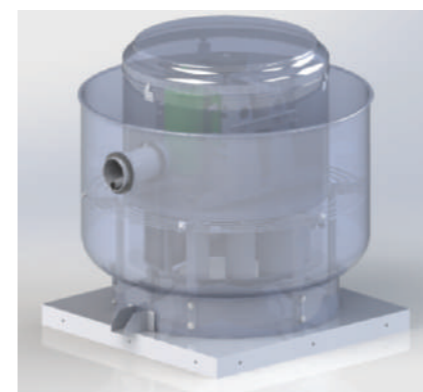


Figure 1 Module Design

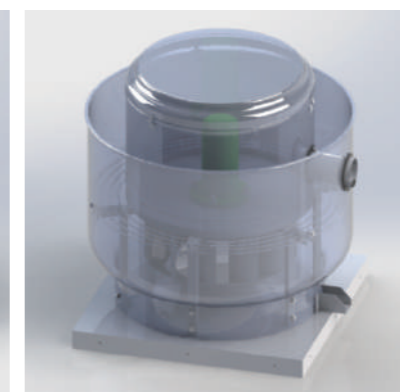
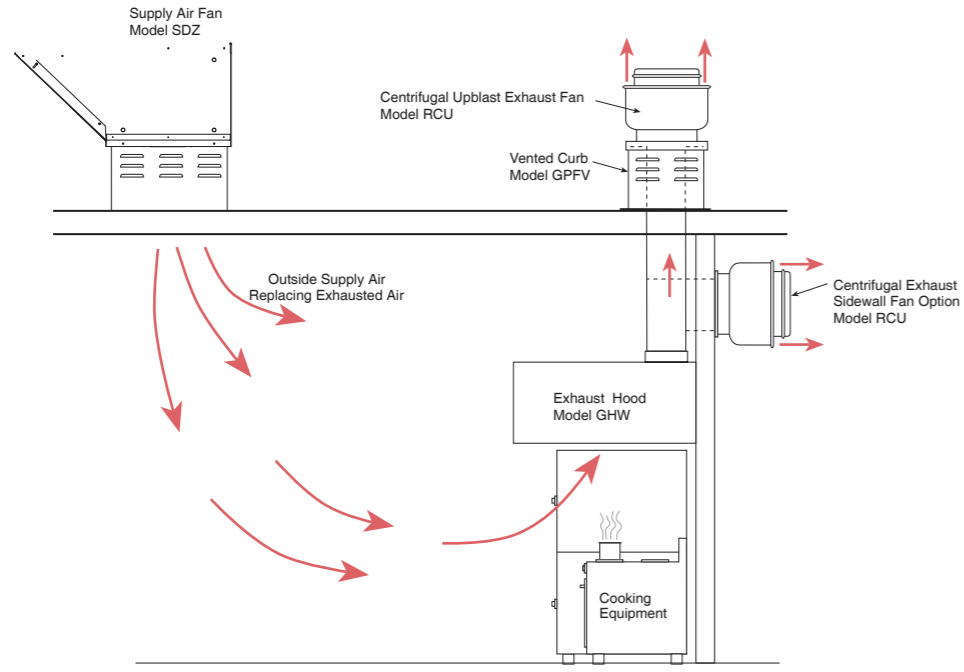


Figure 2 Integrated Design

Commercial Kitchen Ventilation

This Drawing Shows A Typical Commercial Kitchen Ventilation System That Consists Of A Roof Mounted Upblast Exhaust Fan And A Supply Fan. Exhaust Fan Variations Include Sidewall Exhaust Fan (Also Shown) When Penetrating The Roof Is Not Practical. A Utility Blower Is Recommended When Higher Static Pressure Capability Is Required To Pull Exhaust Through Long Duct Runs (Typically 3 Stories Or More)



Fan Sizing

Exhaust

When Not Specified By Local Codes, the Following Guidelines May Be Used to Determine The Minimum Kitchen Hood Exhaust Cfm. Some Local Codes Require 100 CFM/ft² Of Hood Area For Wall Style Hoods.

Duty Level	Type of Cooking Equipment	CFM/ft ² of Hood
Light	Oven, Range, Kettle	50
Medium	Fryer, Griddle	75
Heavy	Charbroiler, Electric Broiler	100

Static pressure typically ranges from 0.625 to 1.0 in. for one story buildings.

Supply

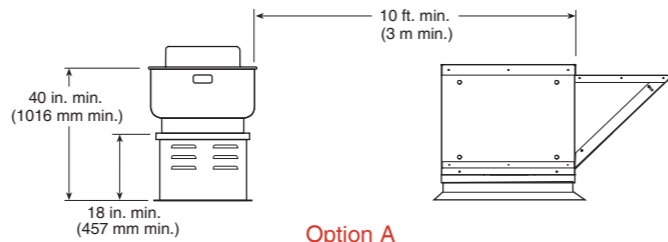
Recommended Supply Airflow Is 80% Of Exhaust Cfm. The Remaining 20% Of Supply Air Will Be Drawn From Areas Adjacent To The Kitchen, Which Helps Prevent Undesirable Kitchen Odors From Drifting Into Areas Such As The Dining Room.

NFPA Considerations

The National Fire Protection Association Specifies Minimum Distance Criteria For Restaurant Exhaust And Supply Fans:

Option A

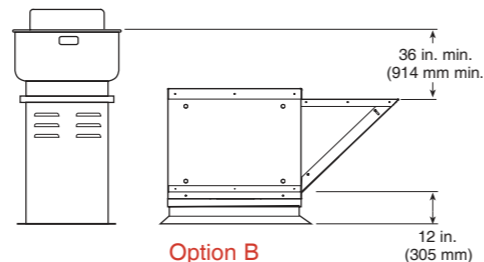
1. Roof Deck To Top Of Exhaust Fan Windband:
40 inches (1016 Mm) minimum
2. Roof Deck To Top Of Curb:
18 Inches (457 mm) minimum
3. Supply Fan Intake:
10 Feet (3048 Mm) Minimum From All Exhaust Fans



Option A

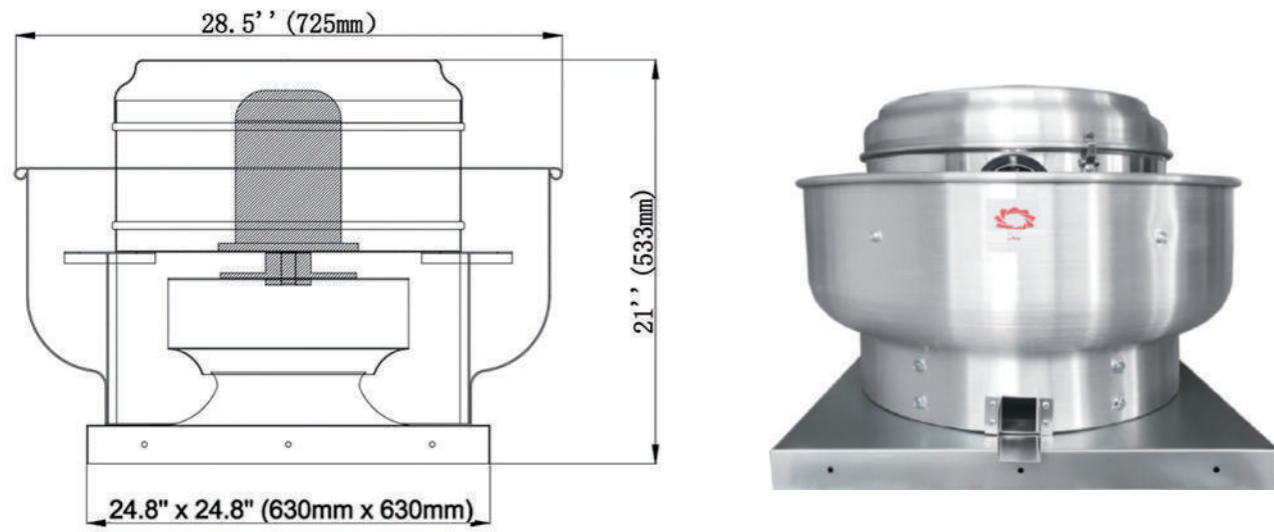
Option B

For Applications Where The 10 Feet (3048 Mm) Horizontal Distance Cannot Be Met, Vertical Separation Between Exhaust And Supply Must Be At Least 36 Inches (914 Mm) .

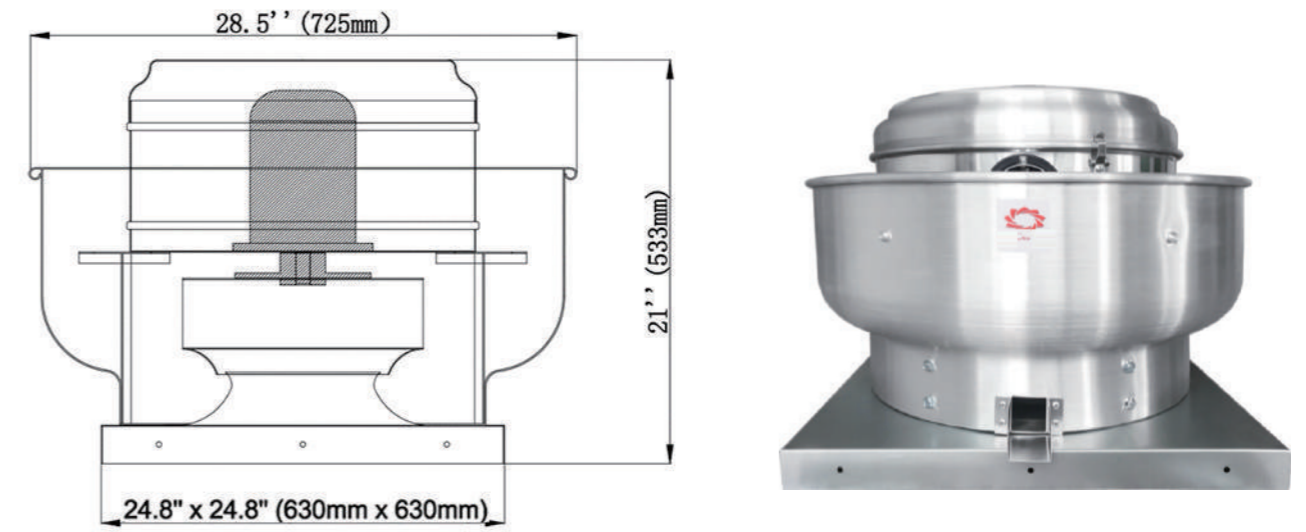


Option B

RDU05 Technical Data

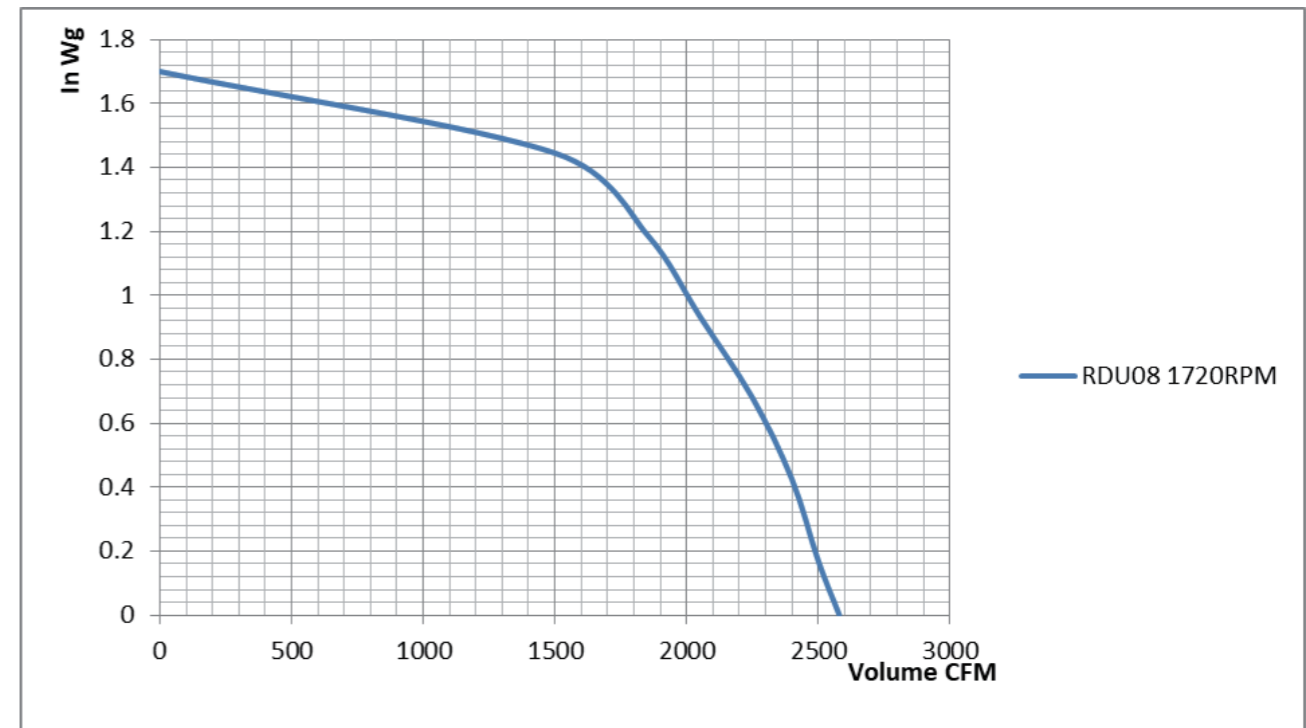
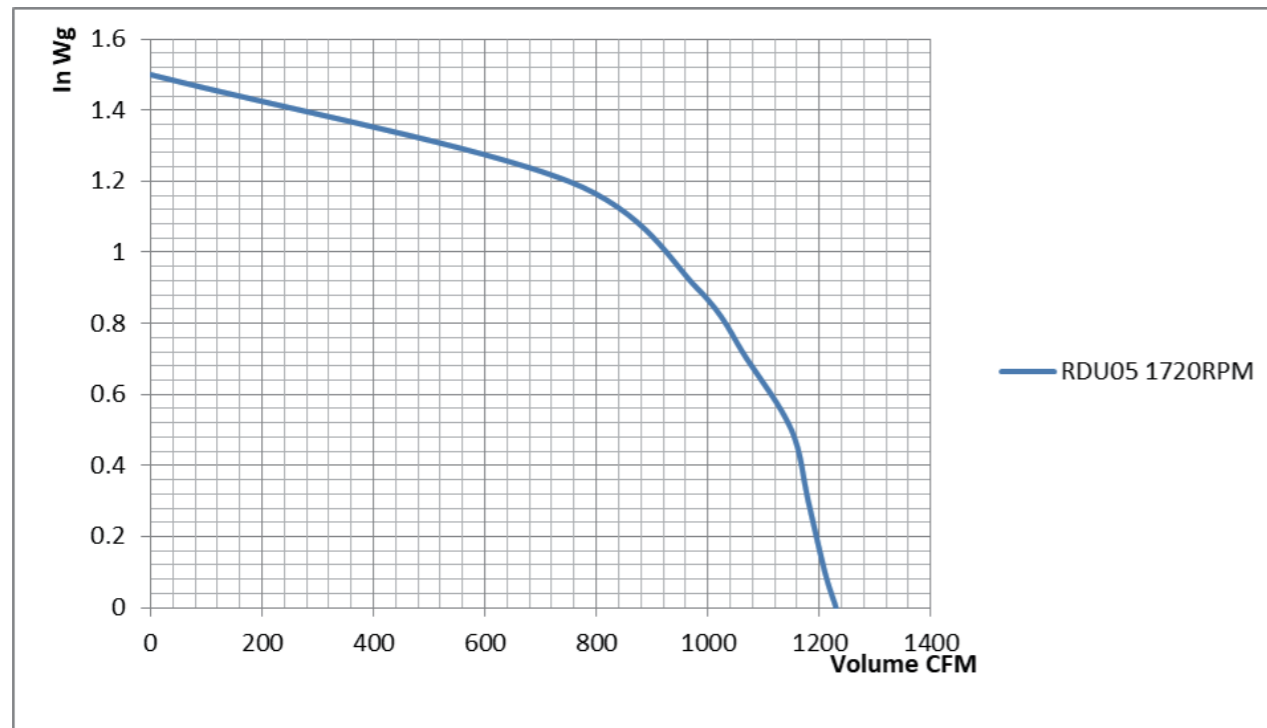


RDU08 Technical Data

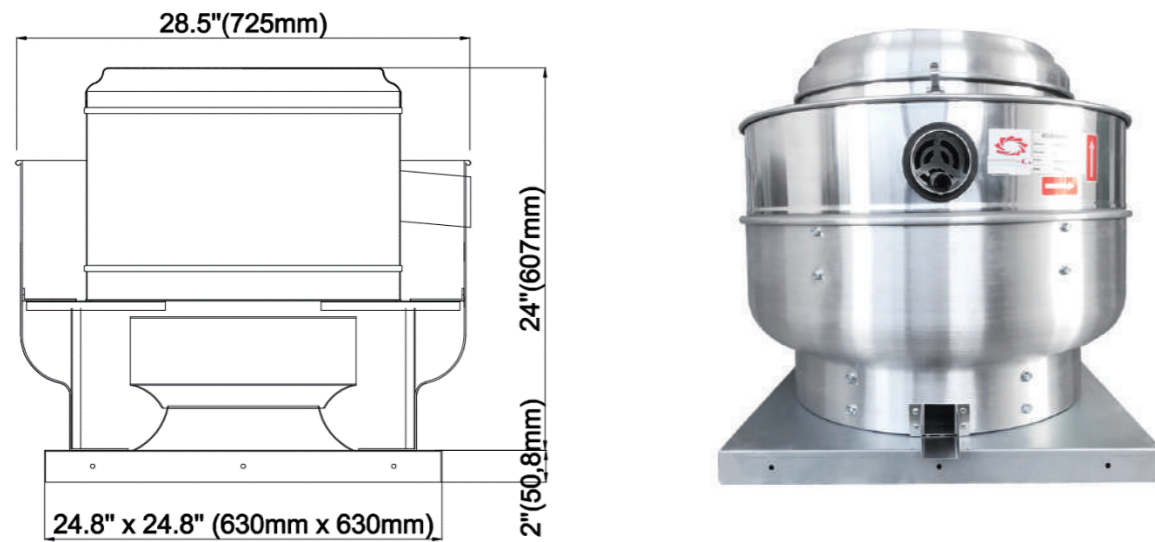


Model	Power	AC Motor 1 ϕ	Fan Speed	Impeller Dia
RDU05	0.25HP	208V-230V/60Hz	1720RPM	11inch
	0.25HP	110V-120V/60Hz		

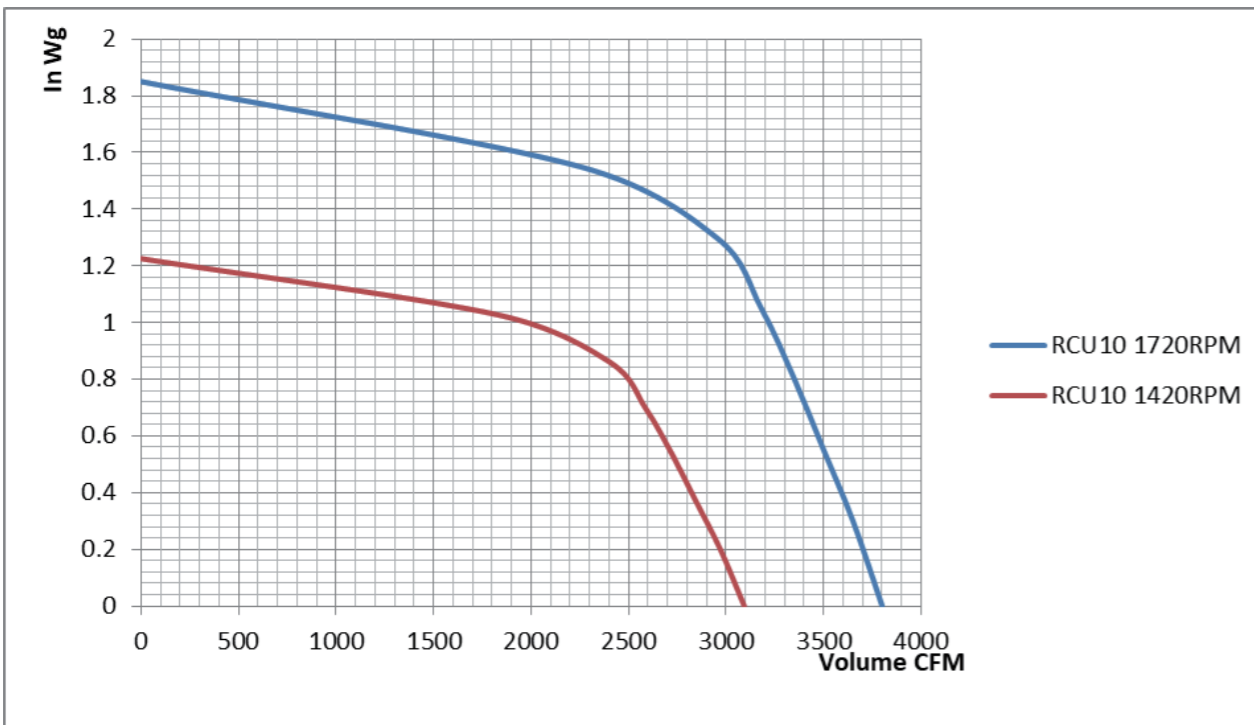
Model	Power	AC Motor 1 ϕ	Fan Speed	Impeller Dia
RDU08	0.5HP	220V/60Hz	1720RPM	12.5inch
	0.5HP	120V/60Hz		



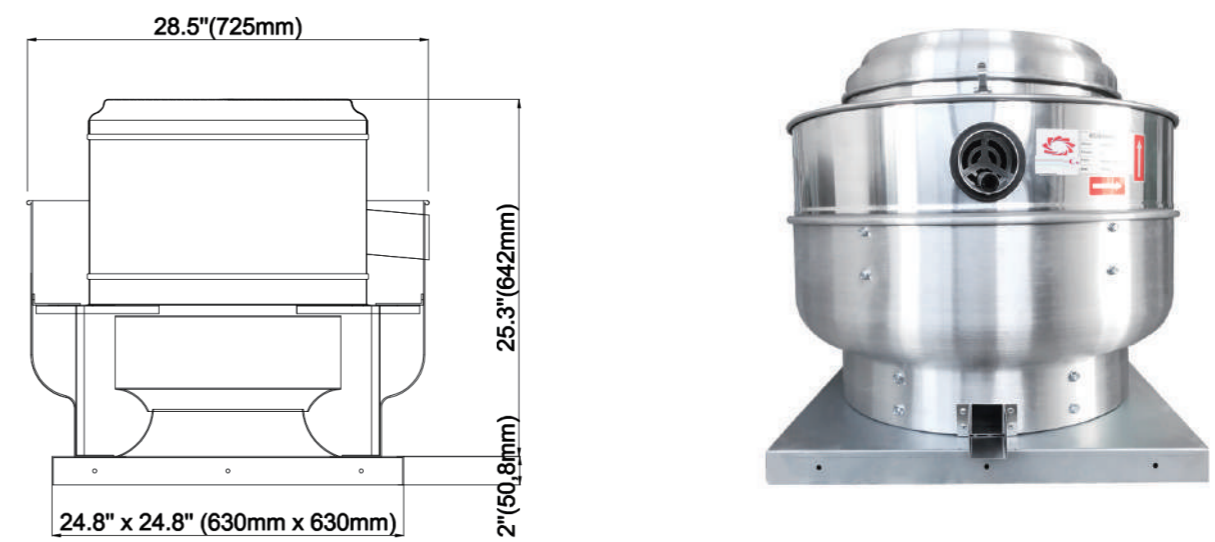
RCU10 Technical Data



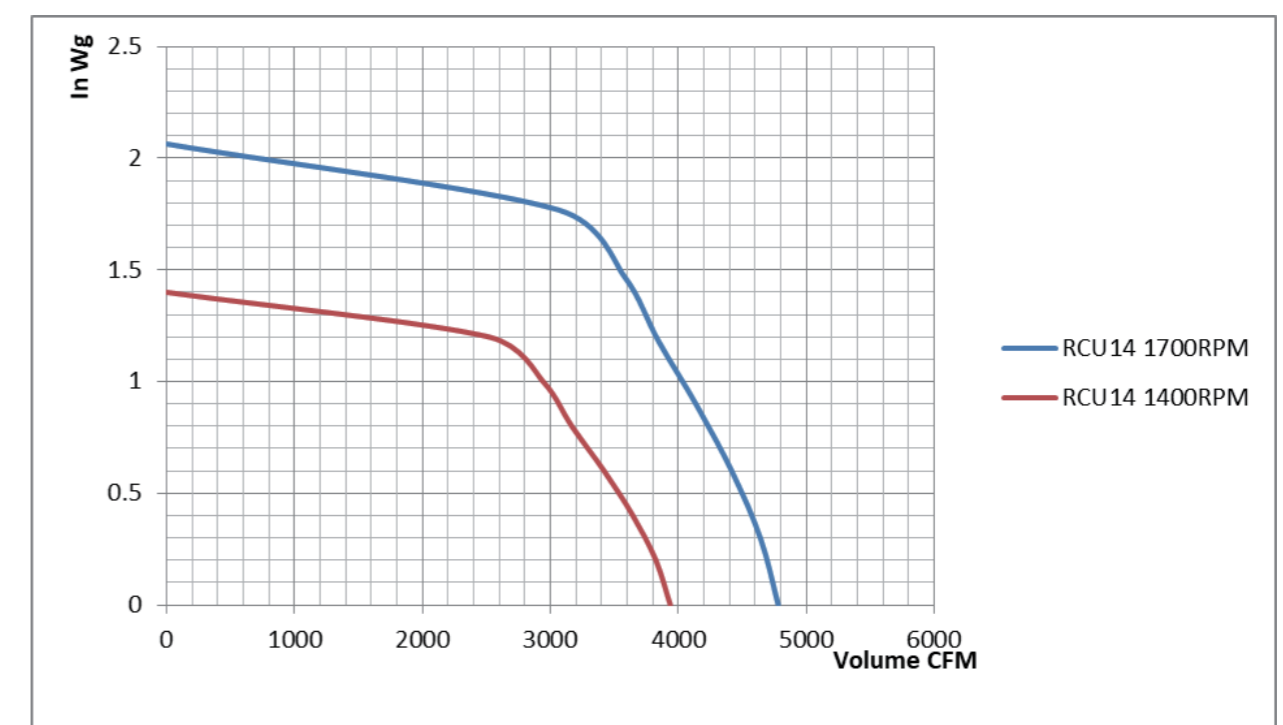
Model	Power	AC Motor 1 ϕ	Fan Speed	Impeller Dia
RCU10	0.75HP	208V-230V/60Hz	1400RPM (Optional)	14inch
	0.75HP	110V-120V/60Hz		
	1.0HP	208V-230V/60Hz	1720RPM (Recommend)	
	1.0HP	110V-120V/60Hz		



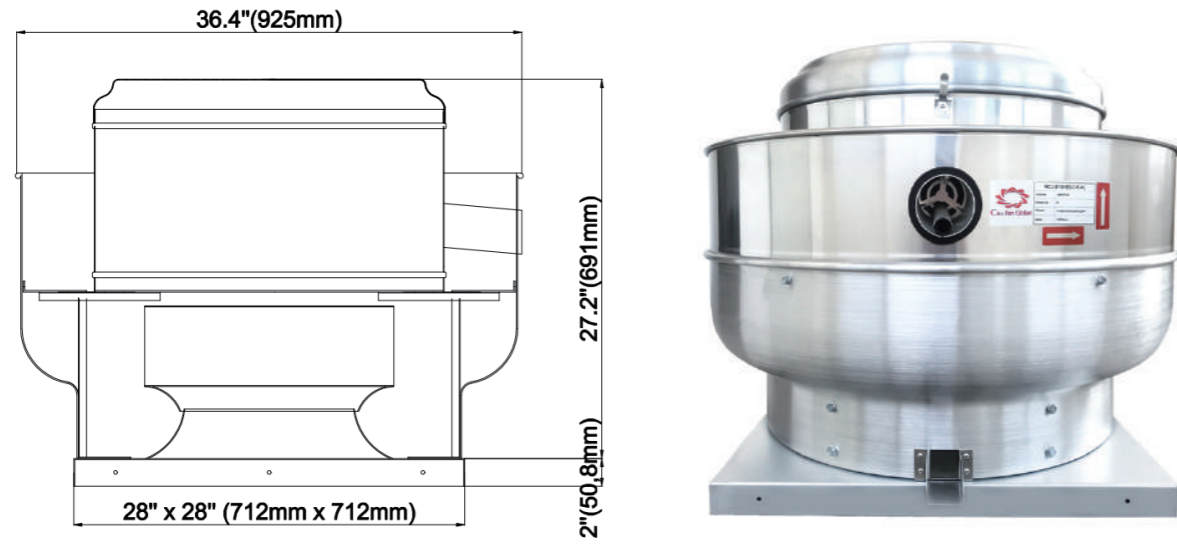
RCU14 Technical Data



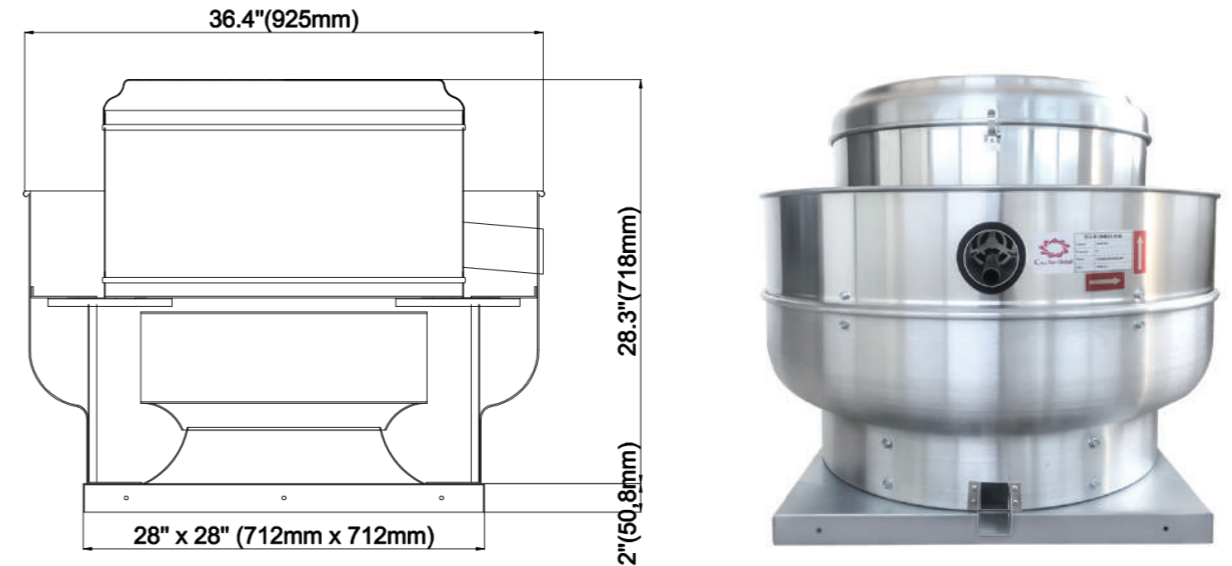
Model	Power	AC Motor 1 ϕ	Fan Speed	Impeller Dia
RCU14	1.0HP	208V-230V/60Hz	1400RPM (Recommend)	16inch
	1.0HP	110V-120V/60Hz		
	1.5HP	208V-230V/60Hz	1720RPM (Optional)	
	1.5HP	110V-120V/60Hz		



RCU16 Technical Data

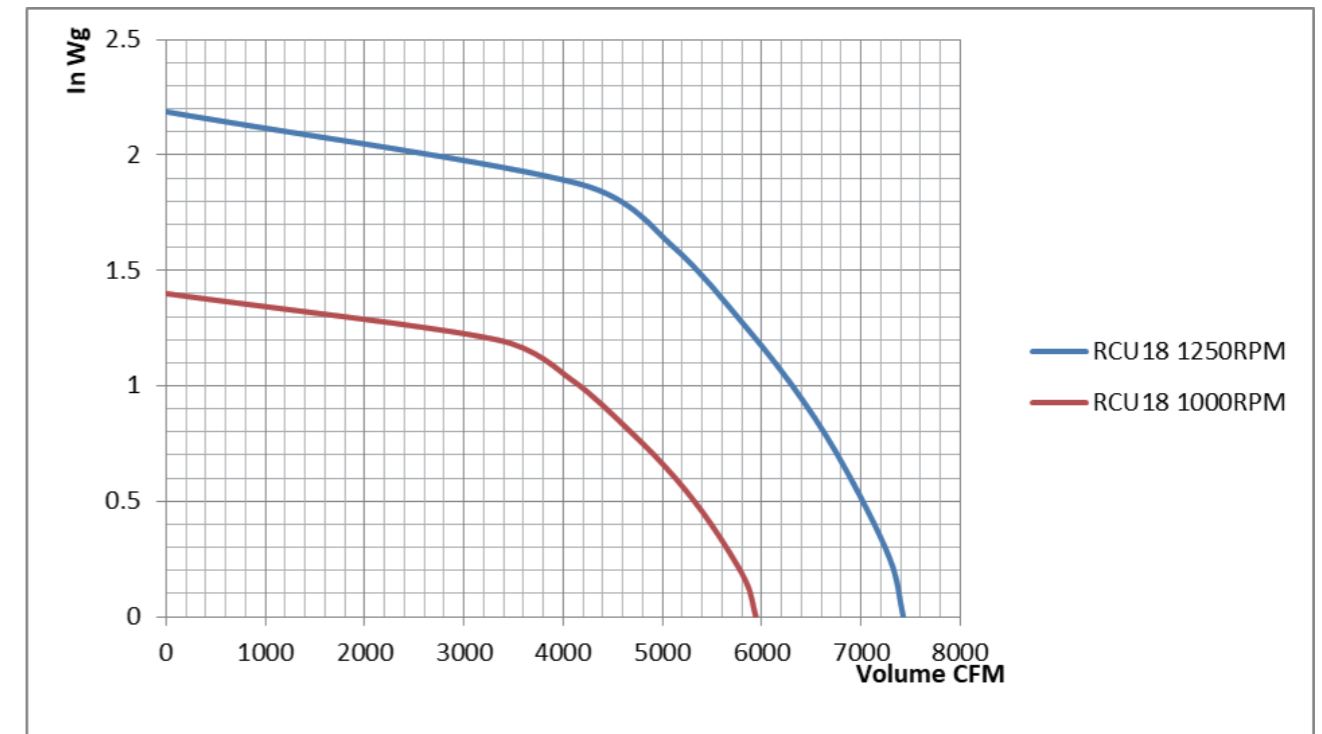
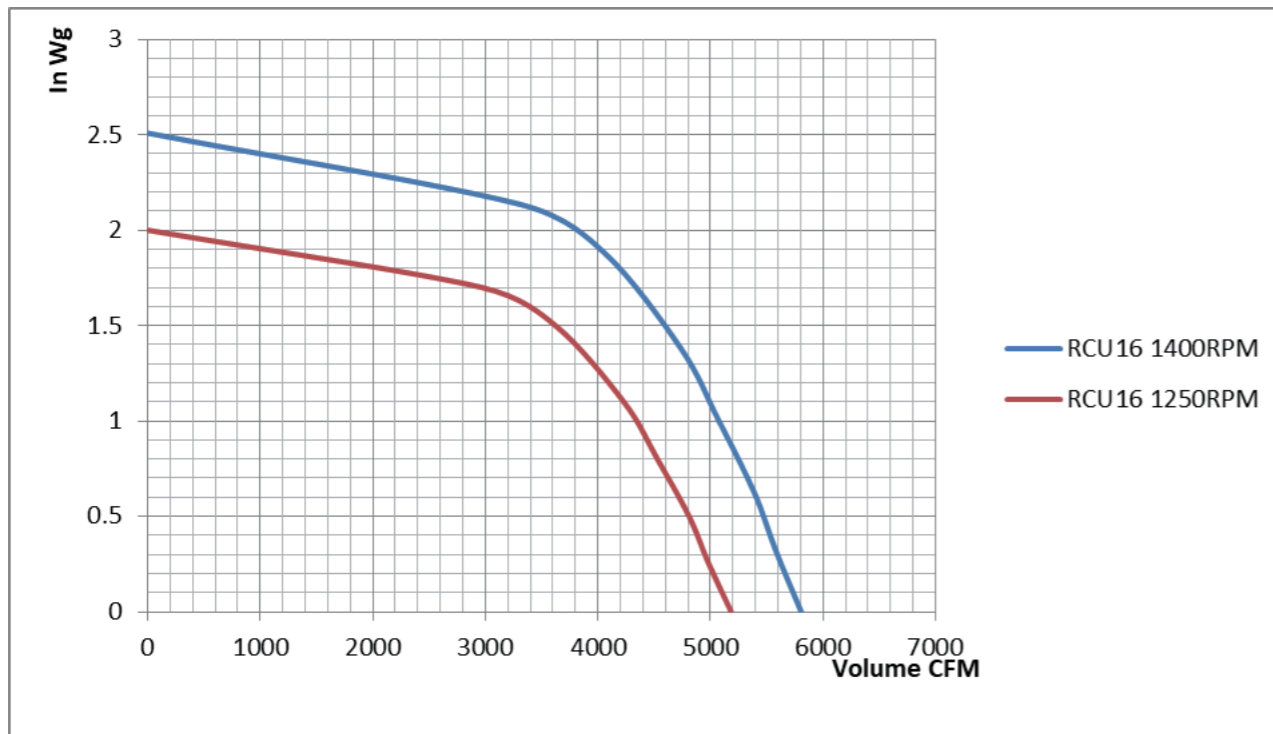


RCU18 Technical Data

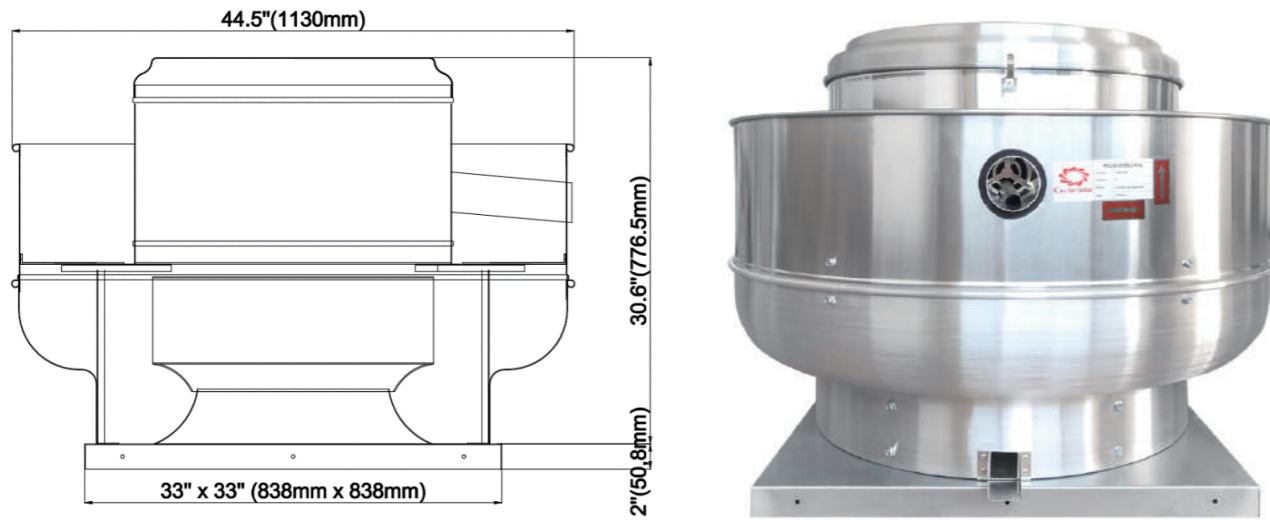


Model	Power	AC Motor 1 ϕ	Fan Speed	Impeller Dia
RCU16	1.5HP	208V-230V/60Hz	1250RPM (Recommend)	18inch
	1.5HP	110V-120V/60Hz		
	2.0HP	208V-230V/60Hz	1400RPM (Optional)	
	2.0HP	110V-120V/60Hz		

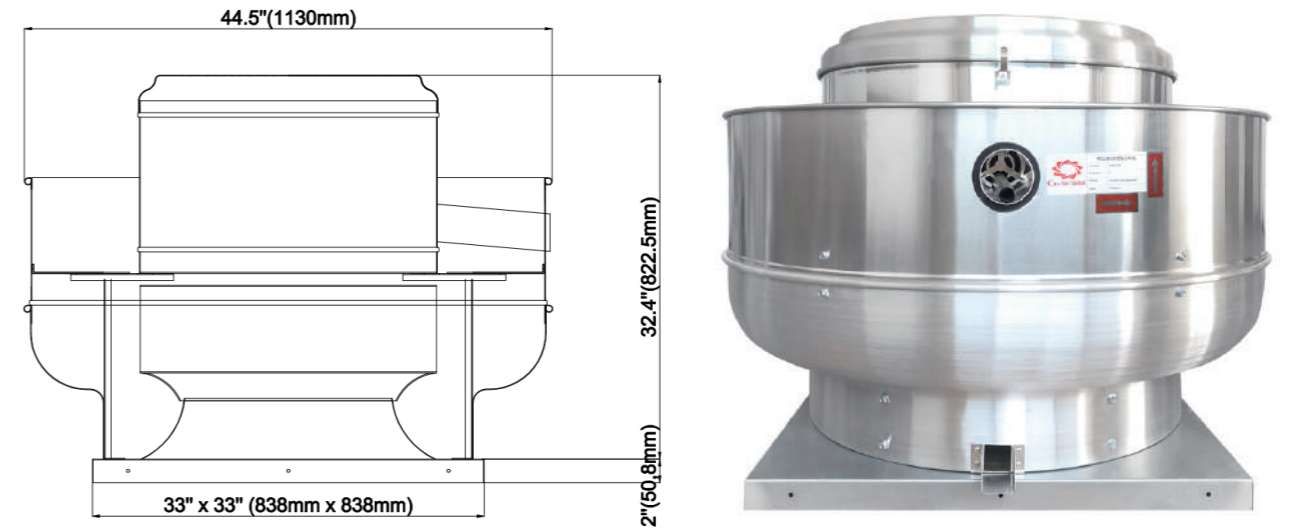
Model	Power	AC Motor 1 ϕ	Fan Speed	Impeller Dia
RCU18	1.5HP	208V-230V/60Hz	1000RPM (Recommend)	20inch
	1.5HP	110V-120V/60Hz		
	2.0HP	208V-230V/60Hz	1250RPM	
	2.0HP	110V-120V/60Hz		



RCU20 Technical Data

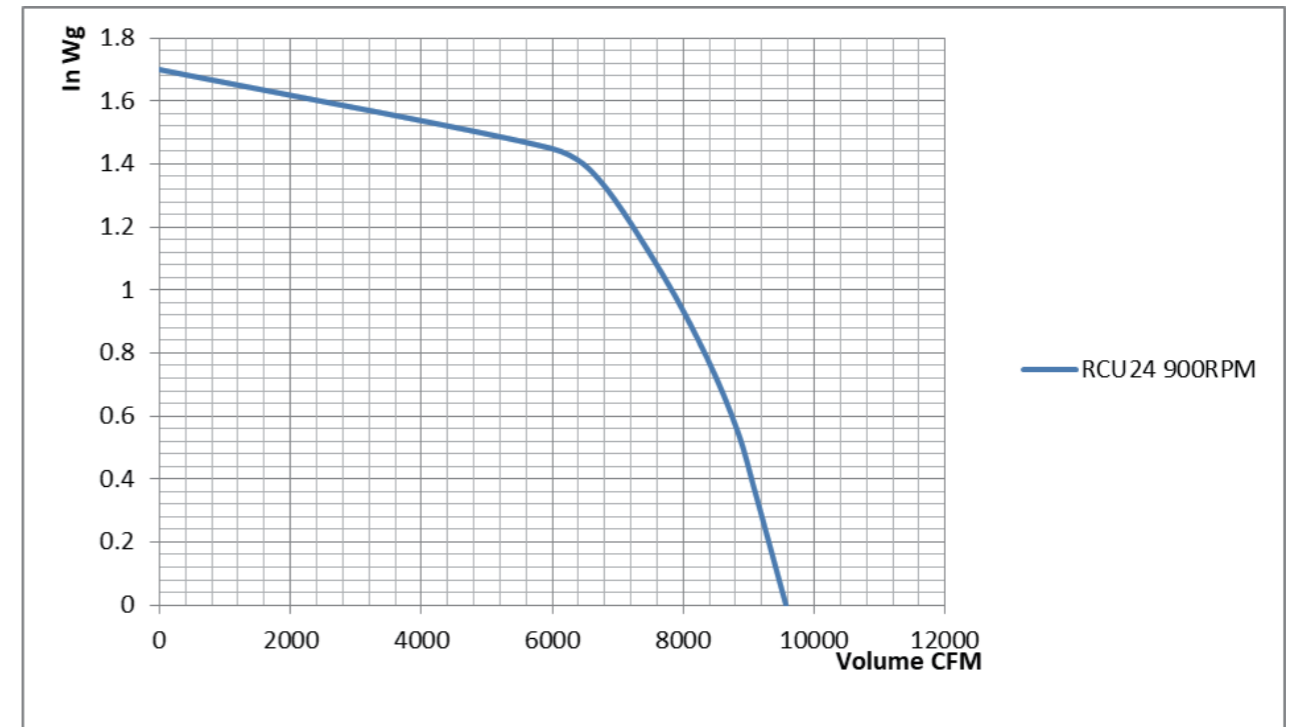
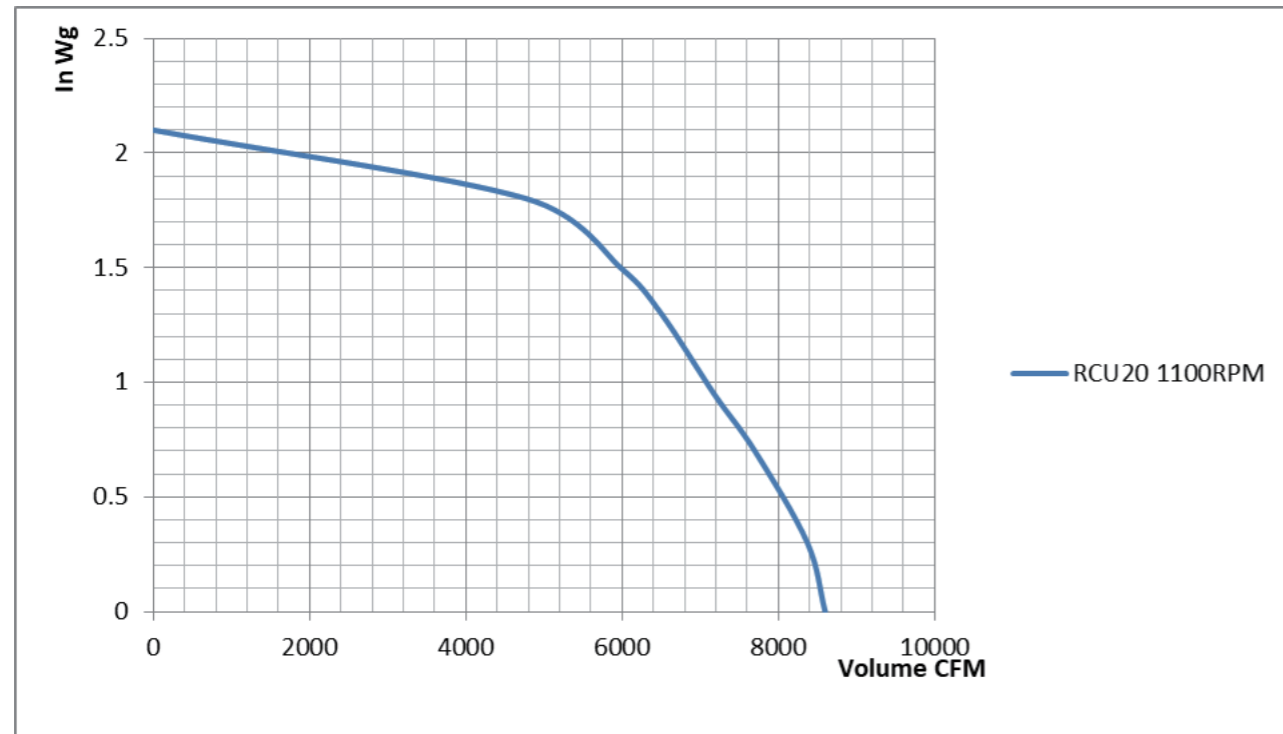


RCU24 Technical Data



Model	Power	AC Motor 1 ϕ	Fan Speed	Impeller Dia
RCU20	2.0HP	208V-230V/60Hz	1000RPM (Recommnd)	22inch
	2.0HP	110V-120V/60Hz		

Model	Power	AC Motor 1 ϕ	Fan Speed	Impeller Dia
RCU24	2.0HP	208V-230V/60Hz	900RPM (Recommnd)	25inch
	2.0HP	110V-120V/60Hz		



Usage Description

1. The Fan Is Mainly Use In Delivering The Clean Air Without The Place That With Easy Burning Materials, Explosive Materials And Powder
2. If The Fan Is Fed With External Rotor Machine And Sealed Ball Bearing. It Is Free Maintenance.
3. If The Fan Install In The Damping And Sobering Area, Continuous Operation Is Required For The Fan.
4. The Fan Can Be Installed In The Outdoor Or Damp Environment With Drainage System.
5. All The Fans Are Feeding With International Standard Motors, Which Are Single Phase 120V, 60Hz Or 220V, 50Hz And Three Phases 380V, 50Hz
6. Installation Is Available In Any Areas

Installation

1. Must Be Install According To The Air Flow Marking
2. Must Be Connect To The Piping Or Equip With Safety Accessories
3. Must Be Installing In A Proper Way And Make Sure The Outlet Is Without Any Unusual Materials.
4. Try To Installing The Fan As Easy As For The Maintenance Purpose
5. Fan Required Flanges In Order To Avoid The Piping Damage When Vibrated
6. Speed Controller Or Transformer Is Available To Connect To The Fan
7. Wiring Diagram Is In The Package.
8. Wiring Must Be Strictly Following The Wiring Diagram.
9. Electrical Installation Must Be Done By Professional Technicians.
10. Electrical Installation Must Be Connecting In The Special Control Box.

Operation

Before Operation, Please Make Sure

1. The Real Maximum Current Cannot Be Exceed The National Standard Index: +5%.
2. The Voltage Pulsation Is Between +6% -- +10%
3. No Exceptional Noise Produce When Operation.
4. The Rotating Direction For Three Phase Motor Is The Same As The Marking.

Maintenance

1. Before Repair Or Maintenance The Fan, Please Make Sure The Fan Is Stop And The Fan Is Not Working In Overload Condition
2. When Disassemble The Larger Fan, Please Care For The Weight To Avoid Blocking And Scratching
3. Cleaning The Fan Once A Year, So That It Can Keep The Function And Avoid The Unnecessary Damage.
4. Ball Bearing Is Free Maintenance Except For The Necessary Updates.
5. When Cleaning The Fan, Please Do Not Use The High Pressure Washer Or Strong Solvent, And Do Not Take Out The Damaging Impeller
6. Make Sure The Fan Is Operating Without Any Noise

Failure Detection

1. Make Sure The Fan Is In The Load Condition.
2. Verify The Impeller Is Without Block.
3. Please Do Check With The Heat-variable Switch And Motor Protector. If The Switch Is Not In Connected, Please Do Check It. If Its Need To Restart Makes Sure The Power Supply Is Cut Off In A Few Minutes Until The Rated Current Is Not Higher Than 1.6A. If The Motor Has The Heat Protector, It Will Automatically Reset After Cool Down.
4. Make Sure The Capacitor Is Connected According To The Wiring Diagram.
5. Please Change The Capacitor At The First Time When The Fan Is Not Work.
6. Please Contact The Distributor If The Fan Is Still Not Work
7. When Send Back The Fan To The Distributor, Please Clean It And Make Sure The Cables Are

Guarantee

The Guarantee Is Valid Only With The Guideline Of This Manual.

Noise Level Test Method
1m/45° Free Zone, Without Connect The Ducting Noise Data

PROCUREMENT SERVICES FROM

BDFS

BuyDirectFromSuppliers.com

Manufactured in Mexico-China-Brazil-USA-Bahrain
Kitchen Hoods - HVAC - Tables - Chairs -
Sourcing - Glassware - Restaurant Decor Packages

Brent Gilbertson Mobile: 678-361-5559
Managing Partner / Founder Brent@BuyDirectFromSuppliers.com



Capabilities And Services

- | | |
|---|--|
| 1 Fan And Blower Design And Manufacture | 2 Fully Performance Tested Products And Published Data |
| 3 In-house Design Engineering Team | 4 Scale And Capacity To Handle Any Size Project |
| 5 Servicing Overseas Markets With Built Products And OEM Supply | 6 Sales And After Sales Support Teams |



PROCUREMENT SERVICES FROM

B D F S

BuyDirectFromSuppliers.com

Manufactured in Mexico-China-Brazil-USA-Bahrain

Kitchen Hoods - HVAC - Tables - Chairs -

Sourcing - Glassware - Restaurant Decor Packages

Brent Gilbertson

Mobile: 678-361-5559

Managing Partner / Founder

Brent@BuyDirectFromSuppliers.com

SDZ Makeup Air Unit Roof Supply Fan

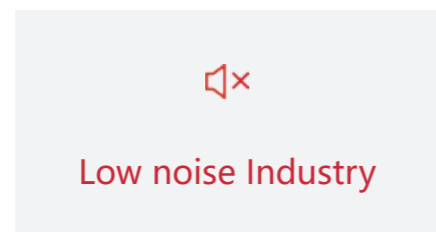
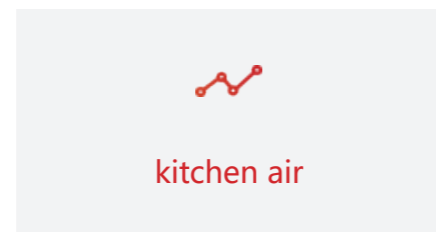


For USA and Canada

SDZ Cabinet Blower are designed to provide efficient and reliable operation for commercial and extractive industry. Our products are manufactured with state of the art laser, forming, spinning and welding equip-ment and ensure our quality control testing to ensure trouble free start-up. Our SDZ Cabinet Blower are including industry leading design features to ensure your ventilation equipment has the latest technologies available

EVERY RCU HAS BEEN TEST FOR THREE DIFFERENT PLANES BEFORE PACKAGE.

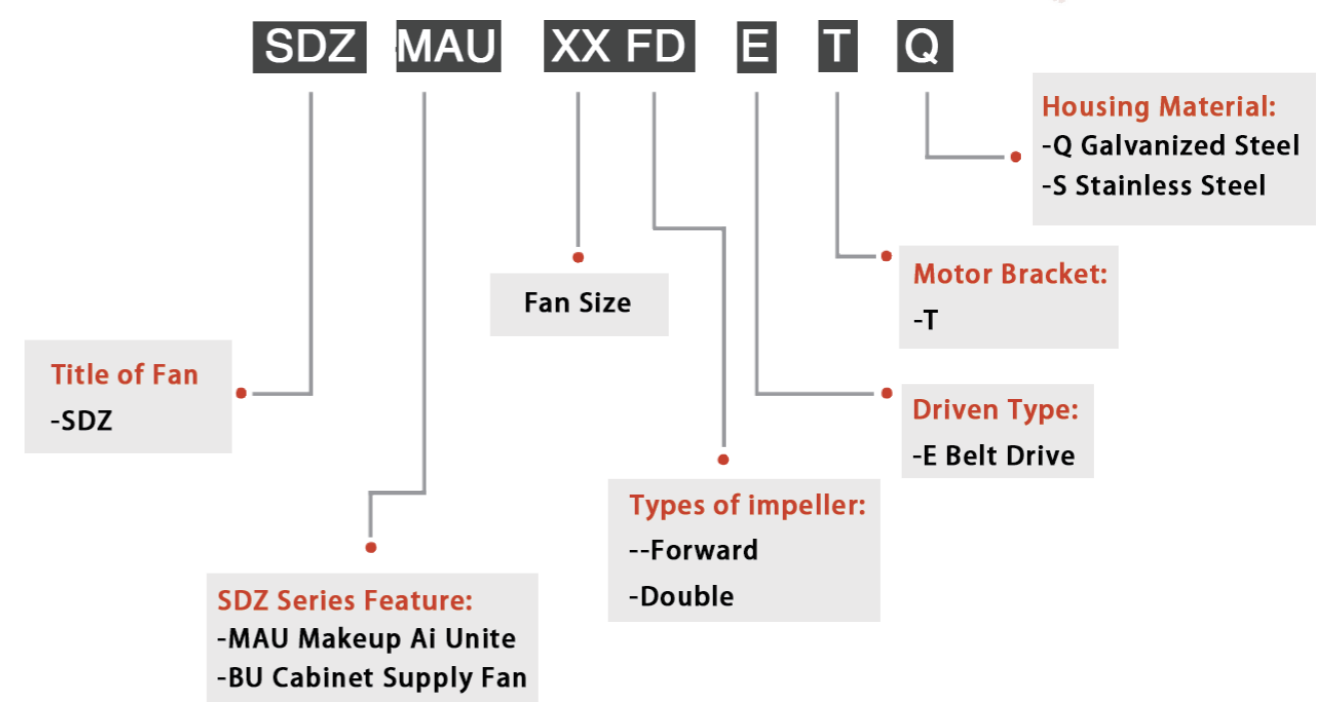
Typical application includes:



Main feature with SDZ Cabinet Blower

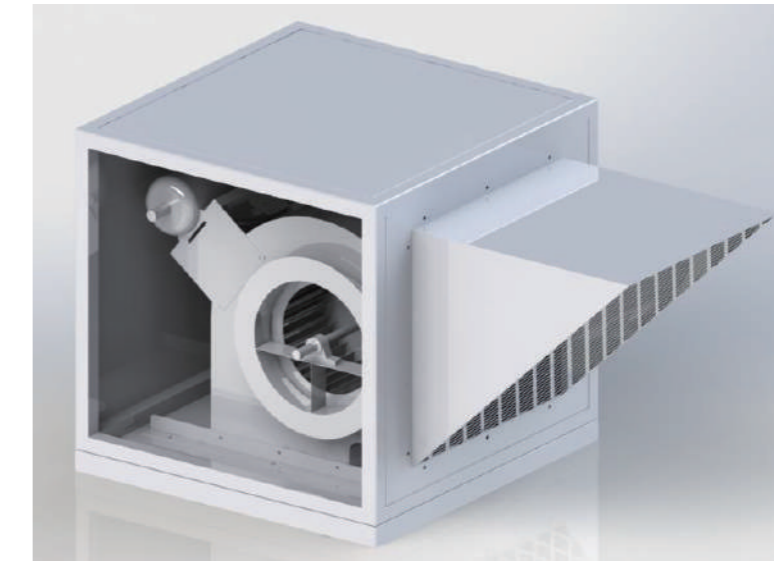
- Full mold, full welded structure, galvanized sheet or stainless steel housing
- Technology axial impeller with higher efficiency and lower noise
- Compact design, easy to install
- It is designed for direct connection in line with standard diameter circular ducting
- Chinese Energy Saving label
- ISO9001:2000 controllable standard

SDZ Supply Fan Model Number Code

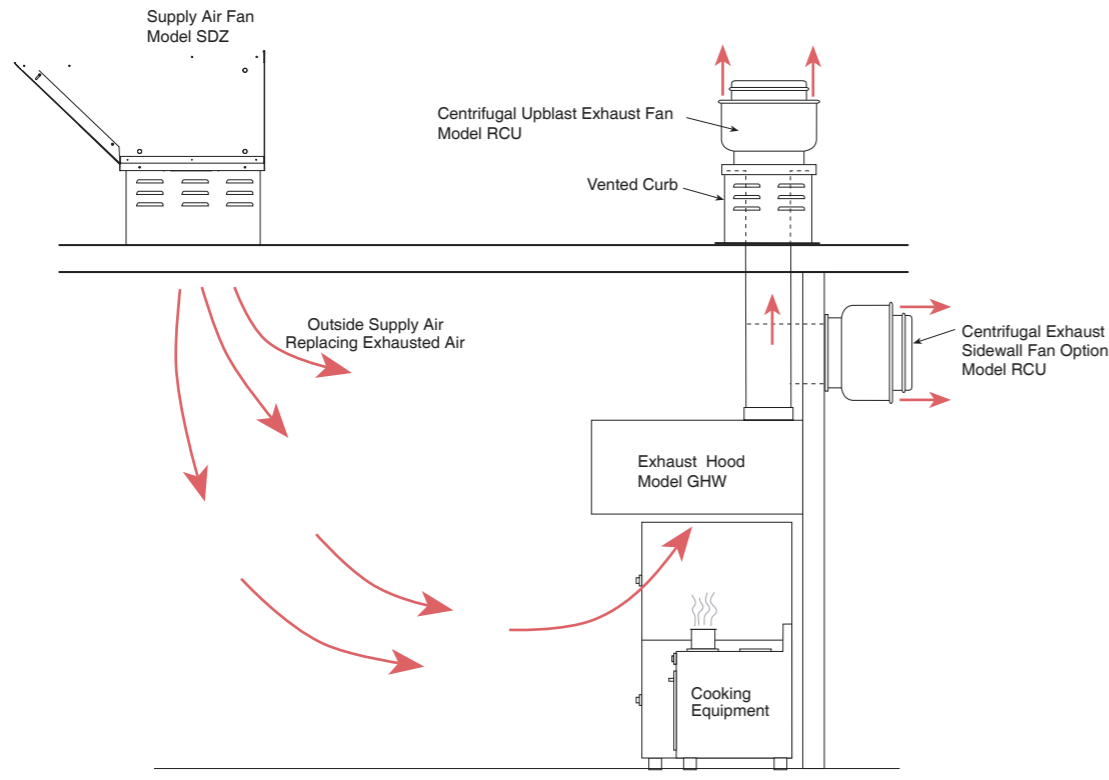


SDZ-MUA-XXFD Structure

SDZ-MUA Series : The product is made in carbon steel with double-inlet wheel, which is cutting,by laser to ensure high-precision mold line. Driven cavity cover adopt galvanized material, whichcan open with hands, and convenient to daily cleaning maintenance. Different ways of motor withdifferent transmission need to select different motor bracket. The impeller adopts laser cuttingtechnology and die stretch forming. A different work environment needs to adopt different impeller material. Carbon steel, stainless steel and aluminum alloy impeller are optional.. Impeller balance test grades are in strict accordance with the G4.0 ISO1940, and meet its requirements.



This Drawing Shows A Typical Commercial Kitchen Ventilation System That Consists Of A Roof Mounted Upblast Exhaust Fan And A Supply Fan. Exhaust Fan Variations Include Sidewall Exhaust Fan (Also Shown) When Penetrating The Roof Is Not Practical. A Utility Blower Is Recommended When Higher Static Pressure Capability Is Required To Pull Exhaust Through Long Duct Runs (Typically 3 Stories Or More)



Fan Sizing

Exhaust

When Not Specified By Local Codes, the Following Guidelines May Be Used to Determine The Minimum Kitchen Hood Exhaust Cfm. Some Local Codes Require 100 CFM/ft² Of Hood Area For Wall Style Hoods.

Supply

Recommended Supply Airflow Is 80% Of Exhaust Cfm. The Remaining 20% Of Supply Air Will Be Drawn From Areas Adjacent To The Kitchen, Which Helps Prevent Undesirable Kitchen Odors From Drifting Into Areas Such As The Dining Room.

Duty Level	Type of Cooking Equipment	CFM/ft ² of Hood
Light	Oven, Range, Kettle	50
Medium	Fryer, Griddle	75
Heavy	Charbroiler, Electric Broiler	100

Static pressure typically ranges from 0.625 to 1.0 in. for one story buildings.

NFPA Considerations

The National Fire Protection Association Specifies Minimum Distance Criteria For Restaurant Exhaust And Supply Fans:

Option A

1. Roof Deck To Top Of Exhaust Fan Windband:

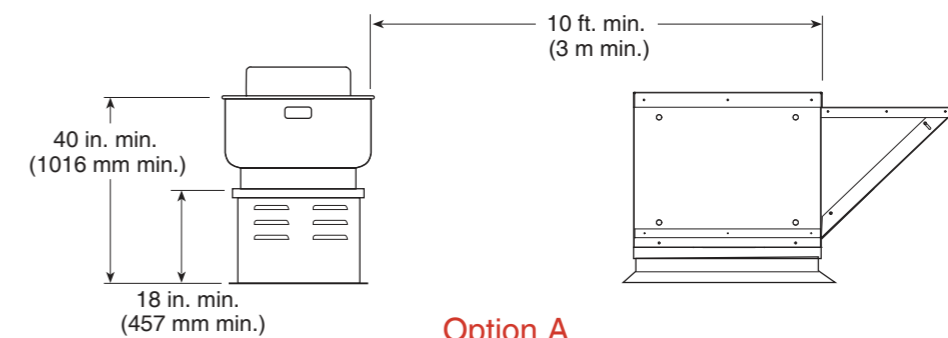
40 inches (1016 Mm) minimum

2. Roof Deck To Top Of Curb:

18 Inches (457 mm) minimum

3. Supply Fan Intake:

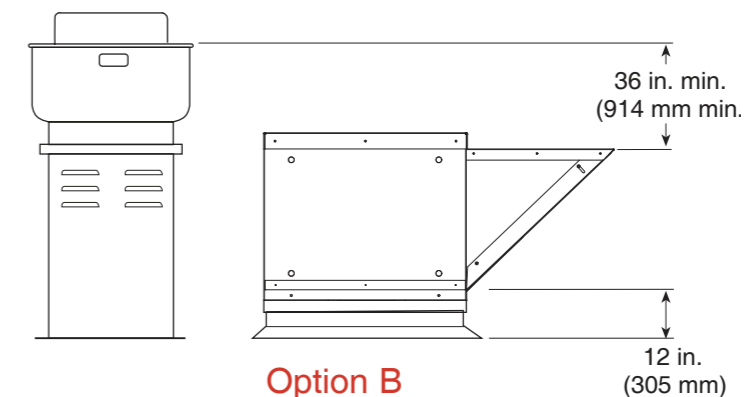
10 Feet (3048 Mm) Minimum From All Exhaust Fans



Option A

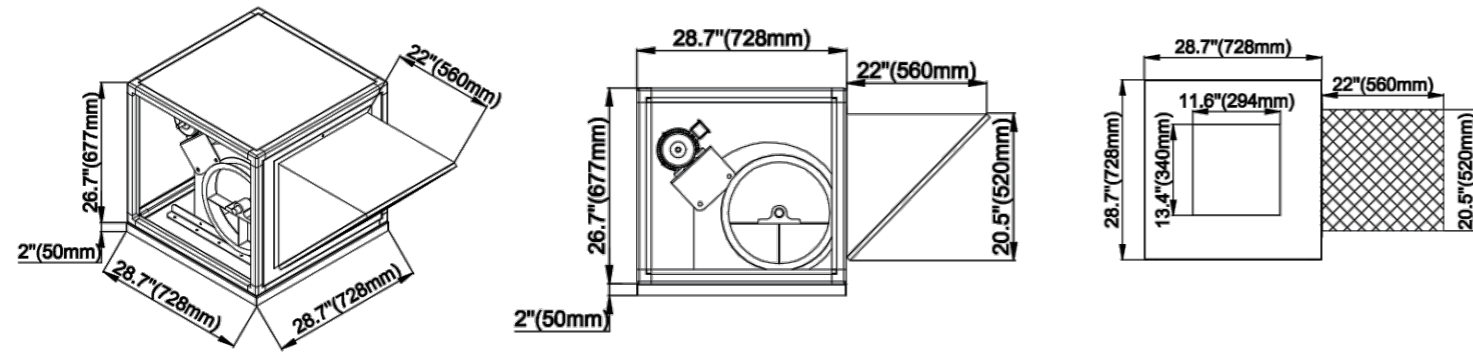
Option B

For Applications Where The 10 Feet (3048 Mm) Horizontal Distance Cannot Be Met, Vertical Separation Between Exhaust And Supply Must Be At Least 36 Inches (914 Mm)



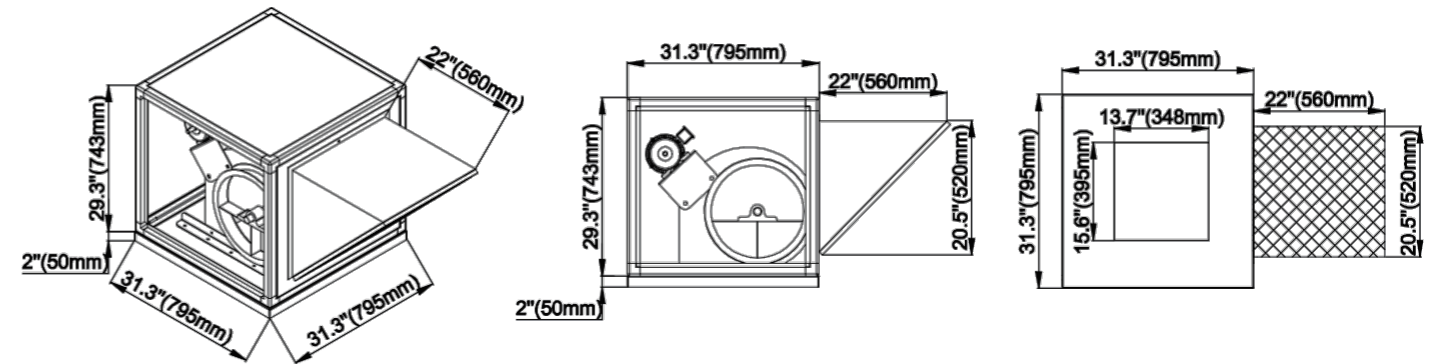
Option B

SDZ-MUA 10

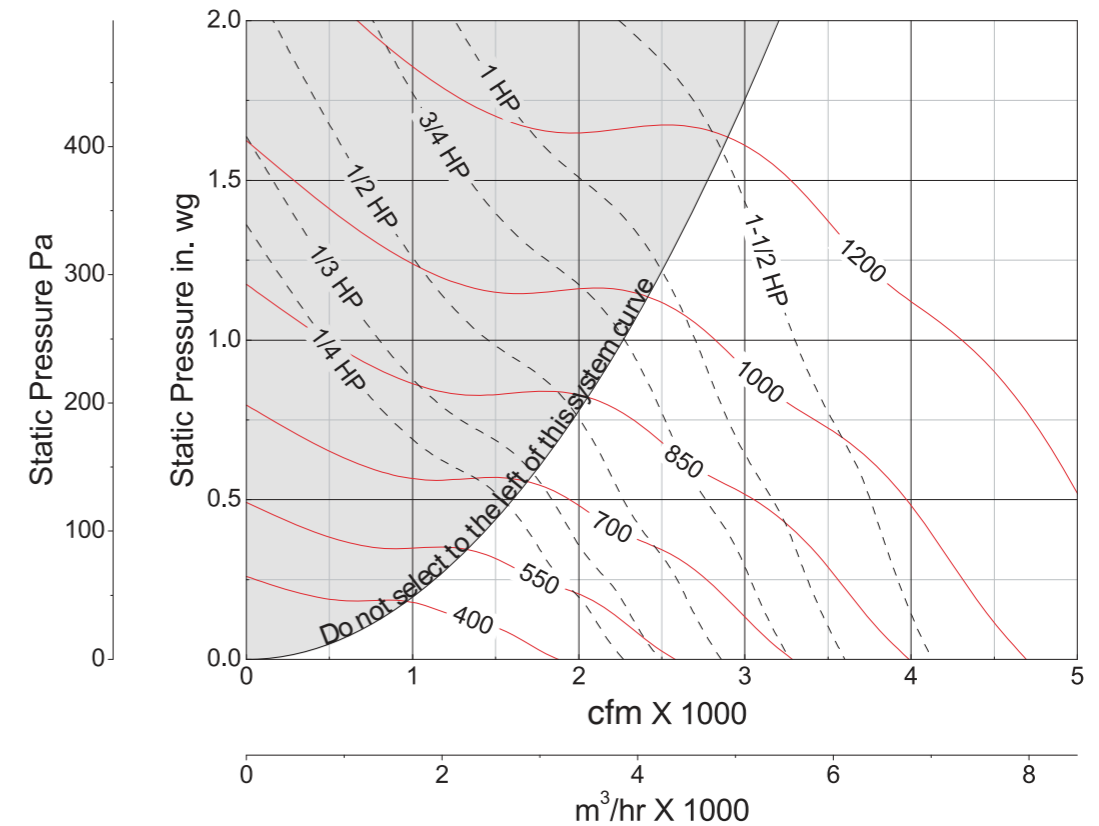
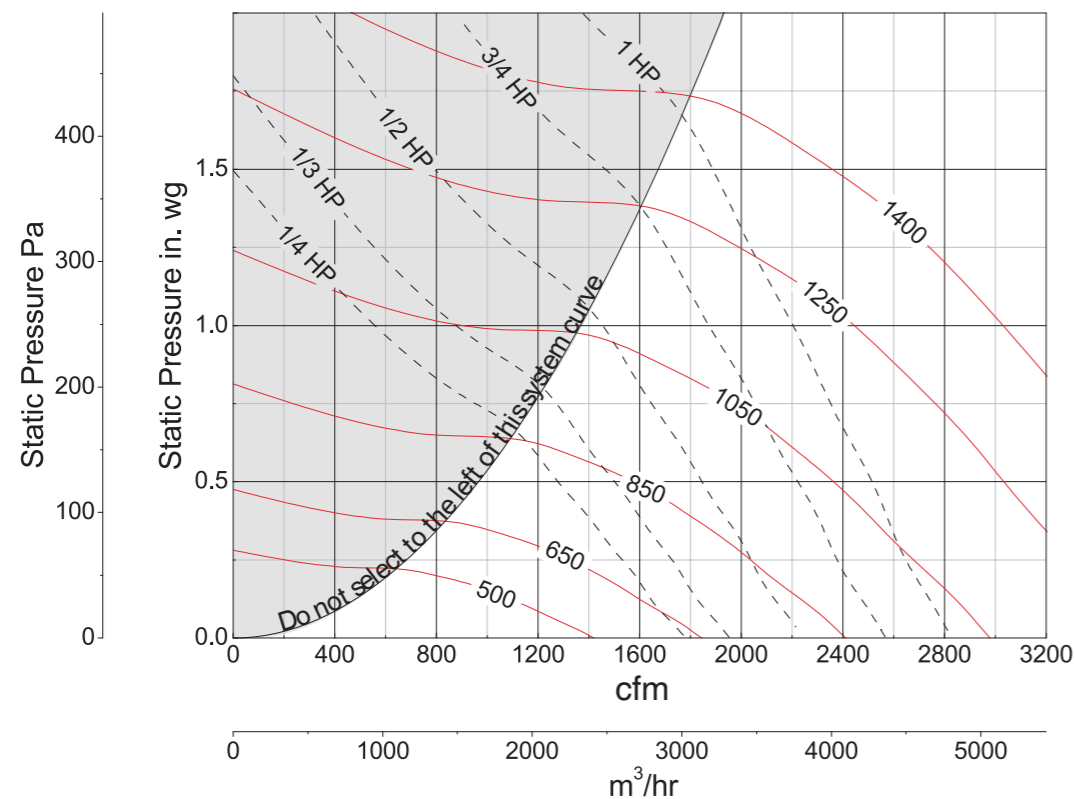


Model	Power	AC motor 1Ø	Fan Speed	Impeller Dia
SDZ10	0.75HP	208V-230V/60Hz	950RPM (recommend)	10inch
	0.75HP	110V-120V/60Hz		
	1HP	208V-230V/60Hz	1050RPM (optional)	
	1HP	110V-120V/60Hz		

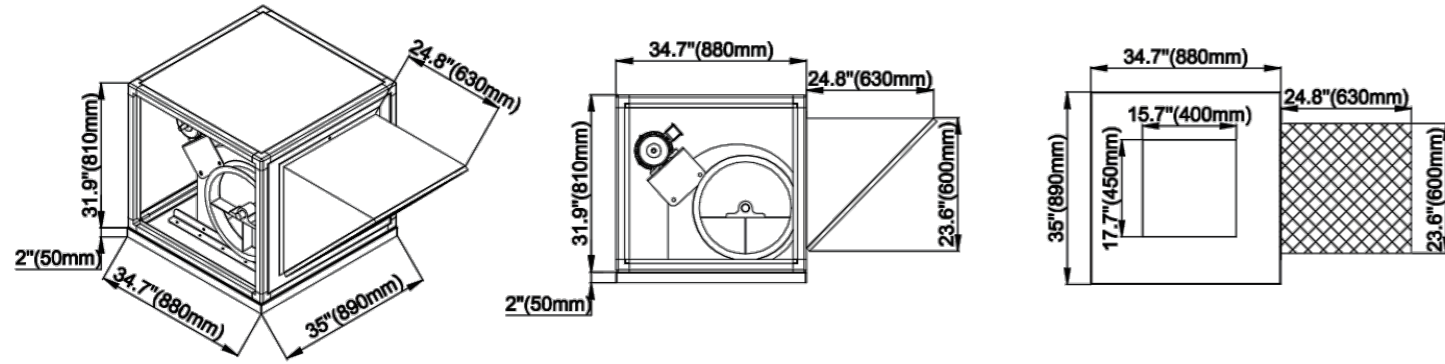
SDZ-MUA 12



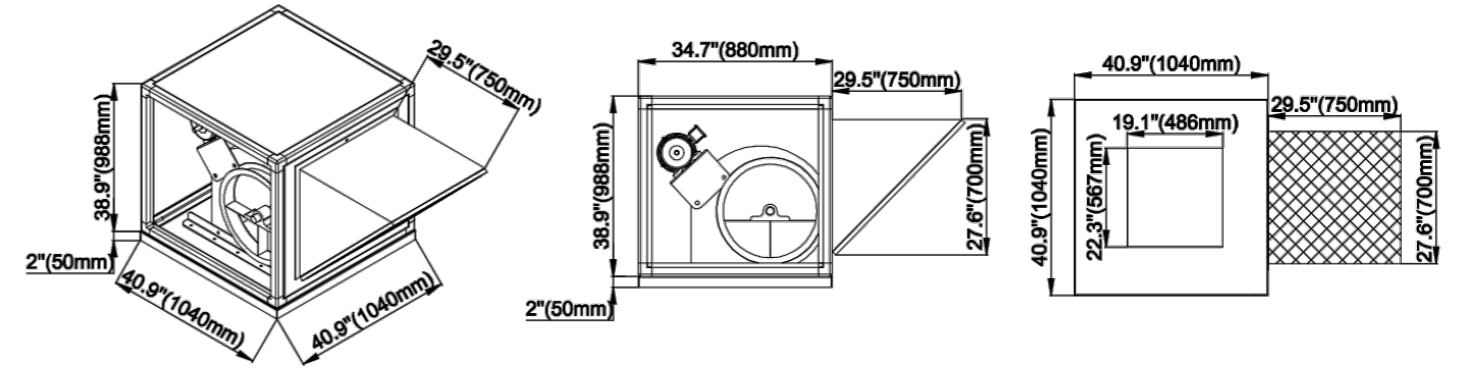
Model	Power	AC motor 1Ø	Fan Speed	Impeller Dia
SDZ12	1HP	208V-230V/60Hz	820RPM (recommend)	12inch
	1HP	110V-120V/60Hz		
	1.5HP	208V-230V/60Hz	950RPM (optional)	
	1.5HP	110V-120V/60Hz		



SDZ-MUA 15

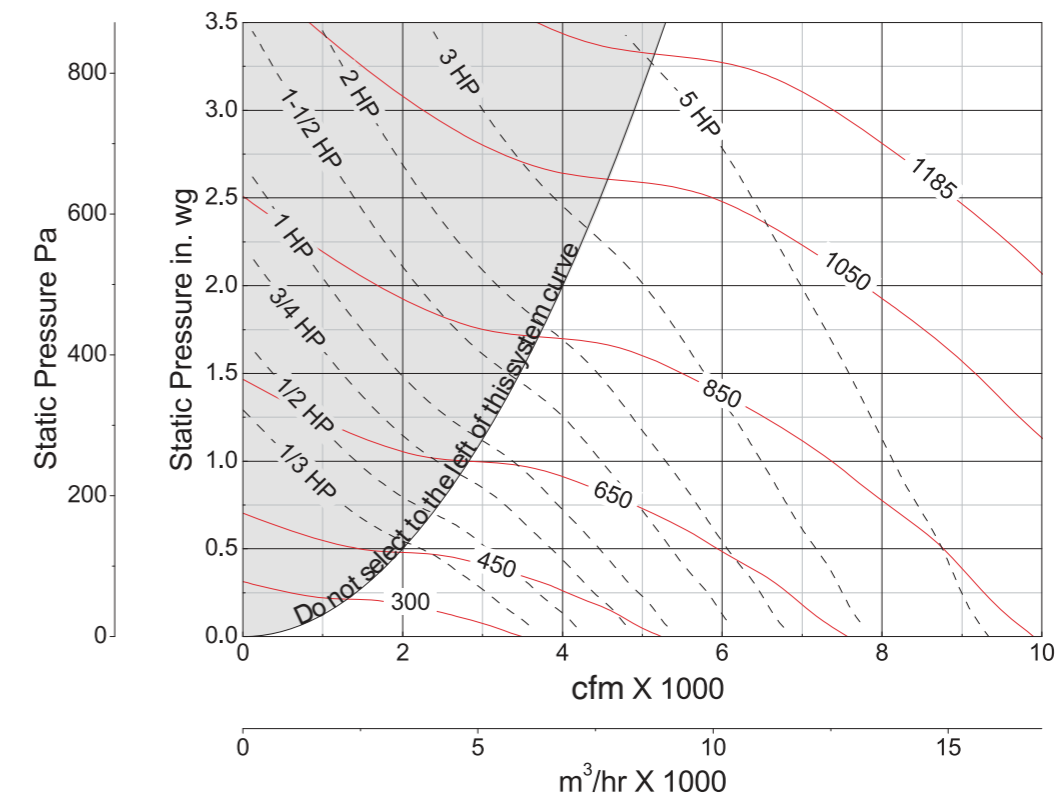
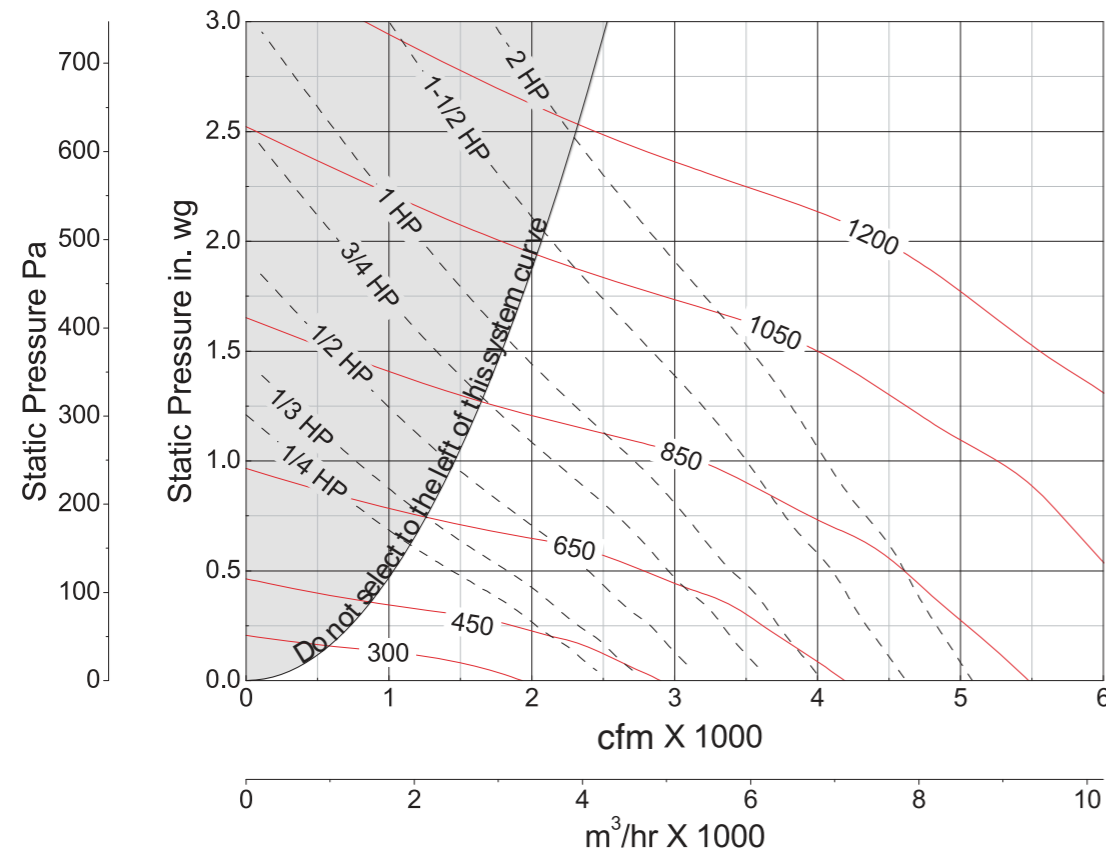


SDZ-MUA 18



Model	Power	AC motor 1Ø	Fan Speed	Impeller Dia
SDZ15	1.5HP	208V-230V/60Hz	750RPM (recommend)	15inch
	1.5HP	110V-120V/60Hz		
	2HP	208V-230V/60Hz	920RPM (optional)	
	2HP	110V-120V/60Hz		

Model	Power	AC motor 1Ø	Fan Speed	Impeller Dia
SDZ18	1.5HP	208V-230V/60Hz	610RPM (optional)	18inch
	1.5HP	110V-120V/60Hz		
	2HP	208V-230V/60Hz	710RPM (recommend)	
	2HP	110V-120V/60Hz		



Usage Description

1. The Fan Is Mainly Use In Delivering The Clean Air Without The Place That With Easy Burning Materials, Explosive Materials And Powder
2. If The Fan Is Fed With External Rotor Machine And Sealed Ball Bearing. It Is Free Maintenance.
3. If The Fan Install In The Damping And Sobering Area, Continuous Operation Is Required For The Fan.
4. The Fan Can Be Installed In The Outdoor Or Damp Environment With Drainage System.
5. All The Fans Are Feeding With International Standard Motors, Which Are Single Phase 120V, 60Hz Or 220V, 50Hz And Three Phases 380V, 50Hz
6. Installation Is Available In Any Areas

Installation

1. Must Be Install According To The Air Flow Marking
2. Must Be Connect To The Piping Or Equip With Safety Accessories
3. Must Be Installing In A Proper Way And Make Sure The Outlet Is Without Any Unusual Materials.
4. Try To Installing The Fan As Easy As For The Maintenance Purpose
5. Fan Required Flanges In Order To Avoid The Piping Damage When Vibrated
6. Speed Controller Or Transformer Is Available To Connect To The Fan
7. Wiring Diagram Is In The Package.
8. Wiring Must Be Strictly Following The Wiring Diagram.
9. Electrical Installation Must Be Done By Professional Technicians.
10. Electrical Installation Must Be Connecting In The Special Control Box.

Operation

- Before Operation, Please Make Sure
1. The Real Maximum Current Cannot Be Exceed The National Standard Index:+5%.
 2. The Voltage Pulsation Is Between +6% --+10%
 3. No Exceptional Noise Produce When Operation.
 4. The Rotating Direction For Three Phase Motor Is The Same As The Marking.

Maintenance

1. Before Repair Or Maintenance The Fan, Please Make Sure The Fan Is Stop And The Fan Is Not Working In Overload Condition
2. When Disassemble The Larger Fan, Please Care For The Weight To Avoid Blocking And Scratching
3. Cleaning The Fan Once A Year, So That It Can Keep The Function And Avoid The Unnecessary Damage.
4. Ball Bearing Is Free Maintenance Except For The Necessary Updates.
5. When Cleaning The Fan, Please Do Not Use The High Pressure Washer Or Strong Solvent, And Do Not Take Out The Damaging Impeller
6. Make Sure The Fan Is Operating Without Any Noise

Failure Detection

1. Make Sure The Fan Is In The Load Condition.
2. Verify The Impeller Is Without Block.
3. Please Do Check With The Heat-variable Switch And Motor Protector. If The Switch Is Not In Connected, Please Do Check It. If Its Need To Restart Makes Sure The Power Supply Is Cut Off In A Few Minutes Until The Rated Current Is Not Higher Than 1.6A. If The Motor Has The Heat Protector, It Will Automatically Reset After Cool Down.
4. Make Sure The Capacitor Is Connected According To The Wiring Diagram.
5. Please Change The Capacitor At The First Time When The Fan Is Not Work.
6. Please Contact The Distributor If The Fan Is Still Not Work
7. When Send Back The Fan To The Distributor, Please Clean It And Make Sure The Cables Are

Guarantee

The Guarantee Is Valid Only With The Guideline Of This Manual.
 Noise Level Test Method
 1m/45° Free Zone, Without Connect The Ducting Noise Data

Company Introduction

Our China Based Business Owned And Operated By Its Management Team. We Specialize In Air Movement And Have Experience Gained More Than Ten Years Of Operation With Worldwide Predecessors. We Service The Ventilation Equipment Needs Of Customers Ranging From HVAC Through Mining, Manufacturing, Construction, And Agriculture As Well As Retail End Users Include Tianjin And Suzhou Retail Stores. We Build Our Products In State Of The Art Facilities In Guangzhou, WuHan And DeQng. We Adapt Iso9001quality System To Ensure Our Custom-ers Are Using Best Products.

Certification:



Capabilities And Services

- | | |
|---|--|
| 1 Fan And Blower Design And Manufacture | 2 Fully Performance Tested Products And Published Data |
| 3 In-house Design Engineering Team | 4 Scale And Capacity To Handle Any Size Project |
| 5 Servicing Overseas Markets With Built Products And OEM Supply | 6 Sales And After Sales Support Teams |



CBA Centrifugal Blower

PROCUREMENT SERVICES FROM

B D F S

BuyDirectFromSuppliers.com

Manufactured in Mexico-China-Brazil-USA-Bahrain

Brent Gilbertson Mobile: 678-361-5559
Managing Partner/Founder Brent@BuyDirectFromSuppliers.com



CBA Centrifugal Blower

April 2024

CBA Centrifugal Blower

CBA Centrifugal Blowers are designed to provide efficient and reliable operation for commercial and extractive industry. Our products are manufactured with state of the art laser, forming, spinning and welding equipment and ensure our quality control testing to ensure trouble free start-up. Our CBA Centrifugal Blowers are including industry leading design features to ensure your ventilation equipment has the latest technologies available

Main feature with CBA Centrifugal Blower,,

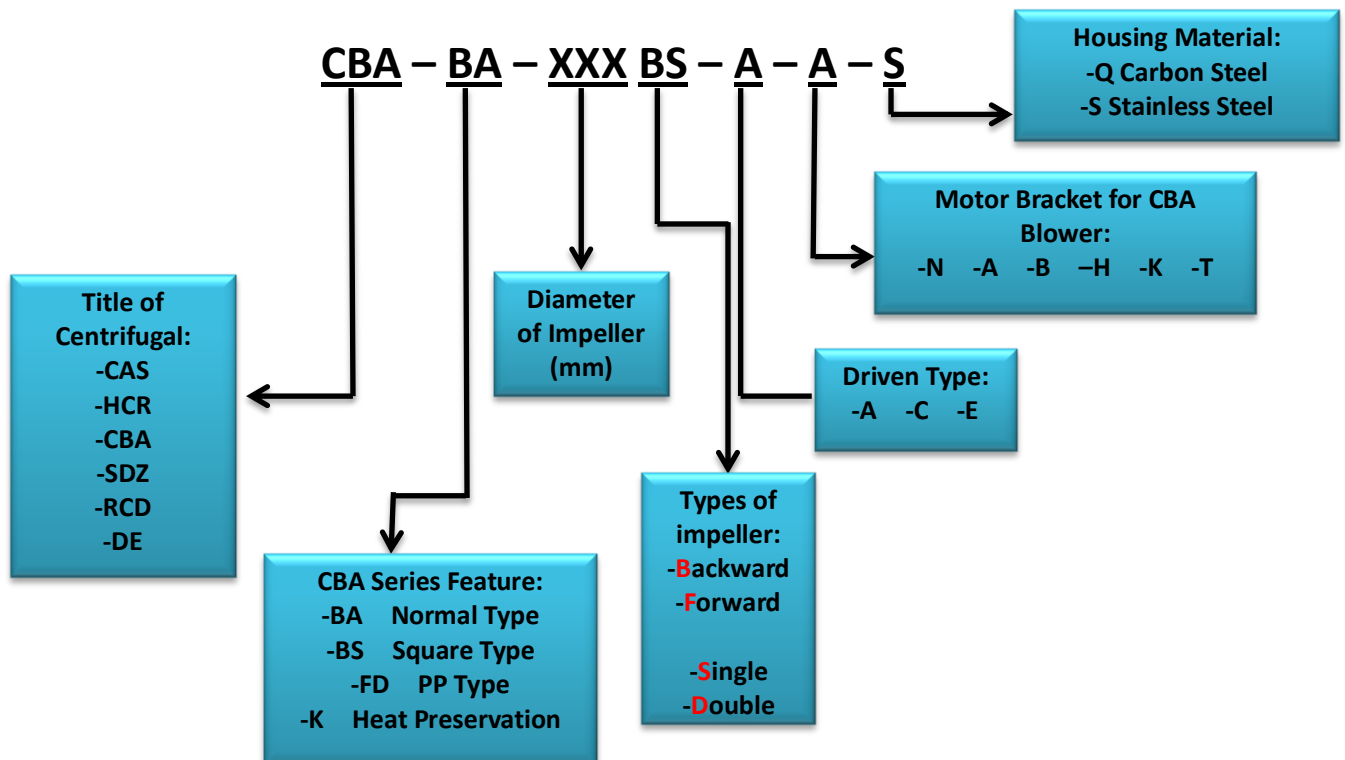
- Concentric mount bearings with industry's highest cataloged bearing life
- Full mold, full welded structure
- Corrosion resistant, electrostatically applied and baked powder coatings
- Both belt and direct drive configurations
- Different motor brackets
- ISO9001:2000 controllable standard



Every CBA has been test for three different planes before package. Typical applications include:

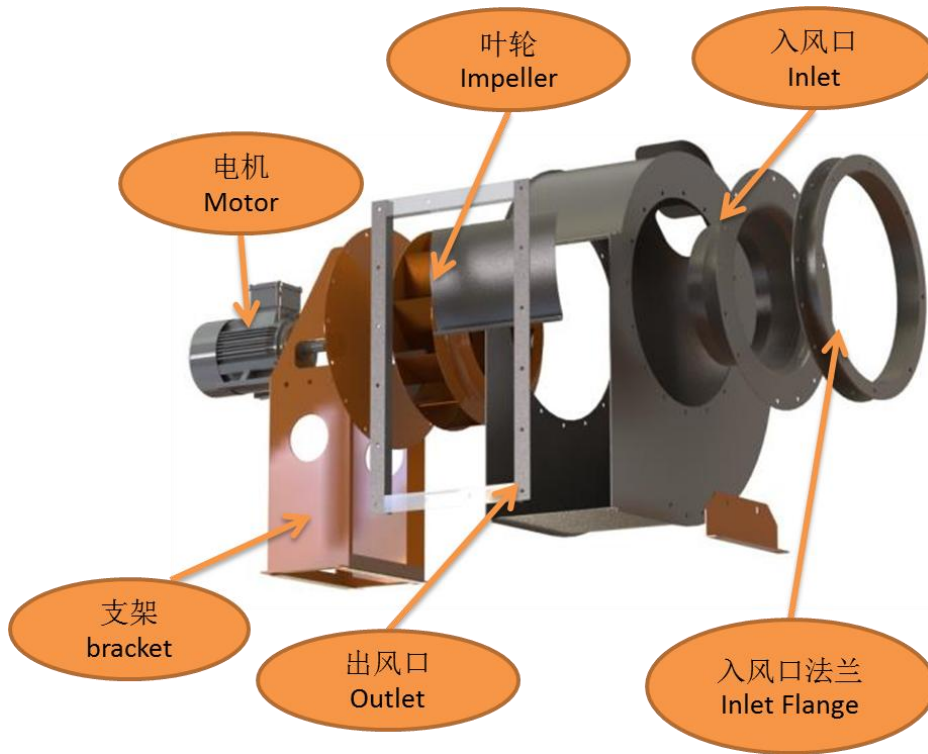
- Stairwell Pressurization
- Restaurant Grease Exhaust
- Explosive gases emissions
- Mechanical equipment supporting

CBA Centrifugal Blower Model Number Code:

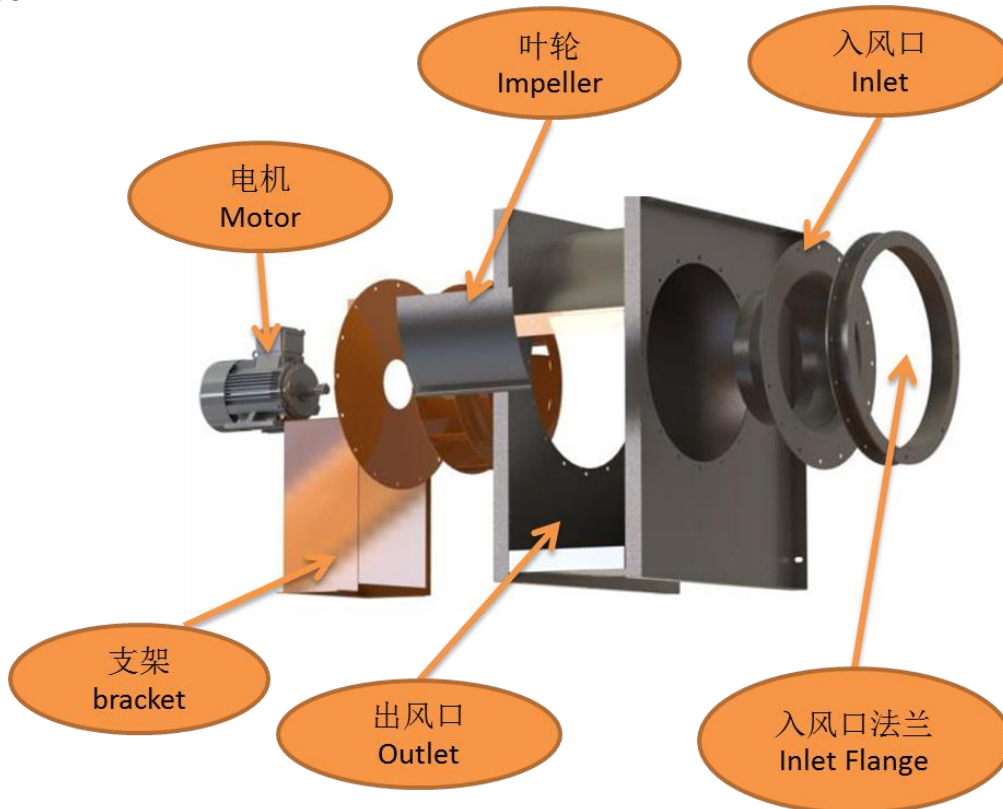


CBA Construction Details

CBA-BA Series: Direct drive, carbon steel and stainless steel are available. We are a leading design production with large air volume and medium pressure

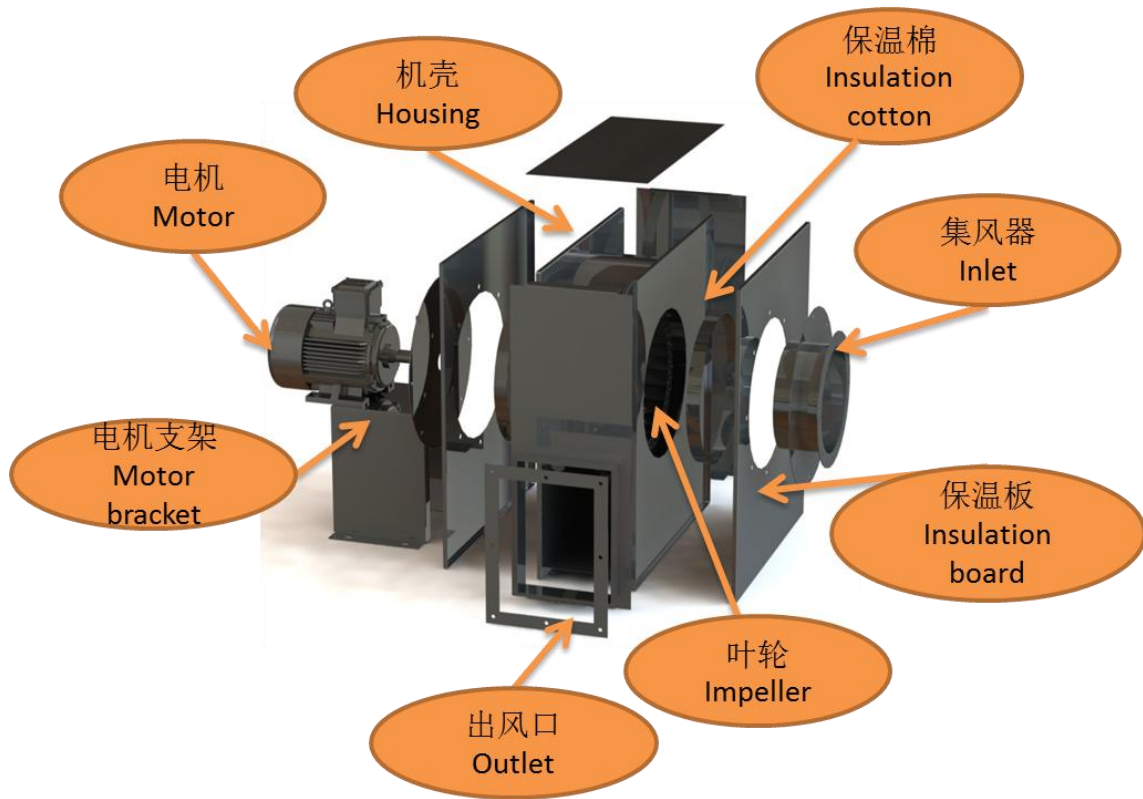


CBA-BS Series: Direct drive, carbon steel and stainless steel are available. We are a leading design production with large air volume and medium pressure; this is CBA square machine series.



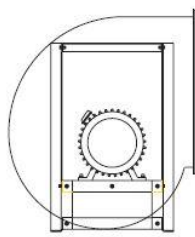
CBA Centrifugal Blower

CBA-K Series: Direct drive. black shell for carbon steel, silver for stainless steel. CBA - K series to form a complete set of machinery industry fan, heat preservation with insulation layer, suitable for coating machine industry.

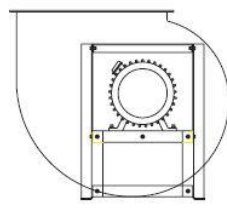


Discharge Standard

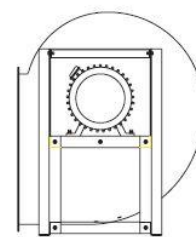
All Centrifugal Fan : Non-standard outlet design also can be made



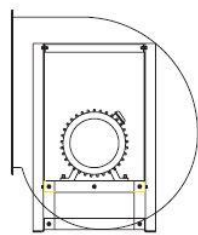
RU 180°



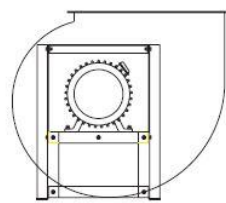
RS 90°



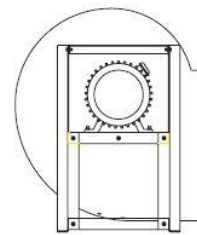
RD 0°



LU 180°



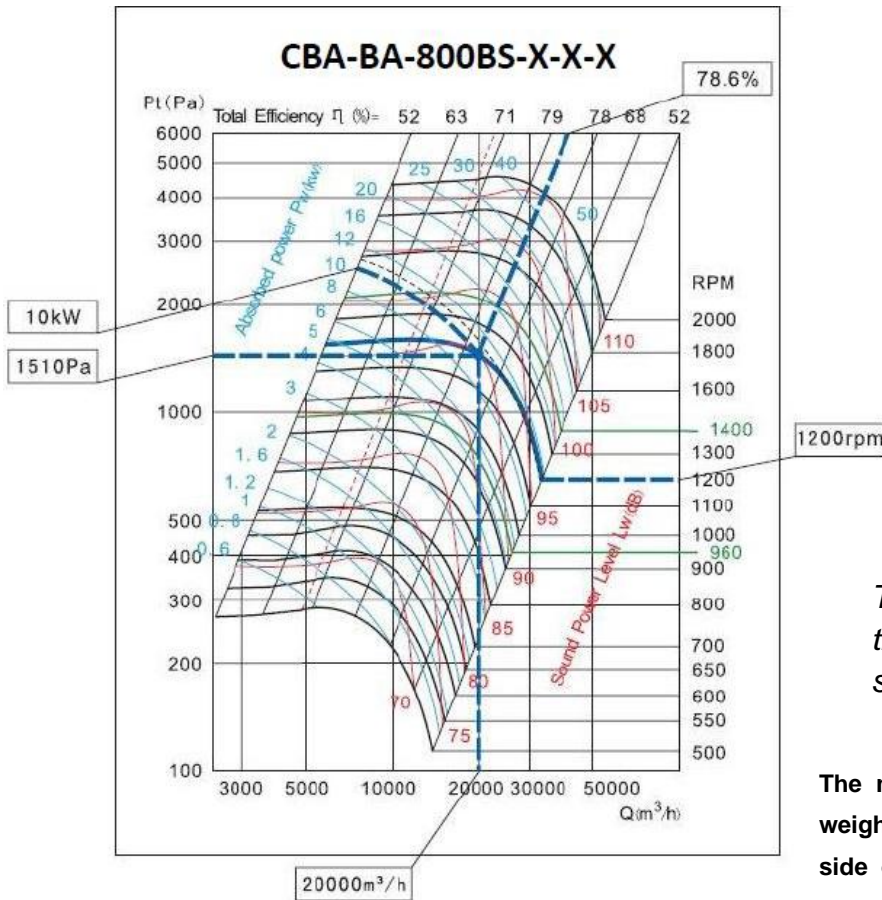
LS 90°



LD 0°

CBA Centrifugal Blower

CBA Technical Data



风量 Air Volume	Q = 20000m ³ /h
全压 Total Pressure	Pt = 1510Pa
风轮转速 Fan Speed	N = 1200rpm
轴功率 Absorbed Power	P _w = 10kW
电机功率 Motor Power	W = 11kW
效率 Total Efficiency	η = 78.6%
噪音 Sound Power Level	L _w (A) = 90dB(A)

The curve is refers to shaft power. Also, the motor need to considerate the safety coefficient and efficiency

The noise parameter for different types of fan is A weighting sound level, which is measured from the side of air intake. The sound pressure level shows

$$N = P_w * K$$

Here, N is selected power,

P_w is shaft power

K is safety factor

$K=1.25$ If $N < 0.75Kw$

$K=1.20$ If $0.75Kw < N < 10Kw$

$K=1.15$ If $N > 10Kw$

SPL

A/free sound field;

$$L_p(A)=L_w(A)-(20LgD)-11$$

B/indoor environment

$$L_p(A)=L_w(A)-(20LgD)-7$$



CBA Centrifugal Blower

CBA-BA-XXXBS and CBA-BS-XXXBS Engineering Data

Model	RPM	Power (kw)	Volume	Pressure
CBA-BA/BS-250BS	2900	0.55	942	904
			1321	873
			1433	847
			1566	789
			1756	721
			1792	696
			1951	572
			2096	495

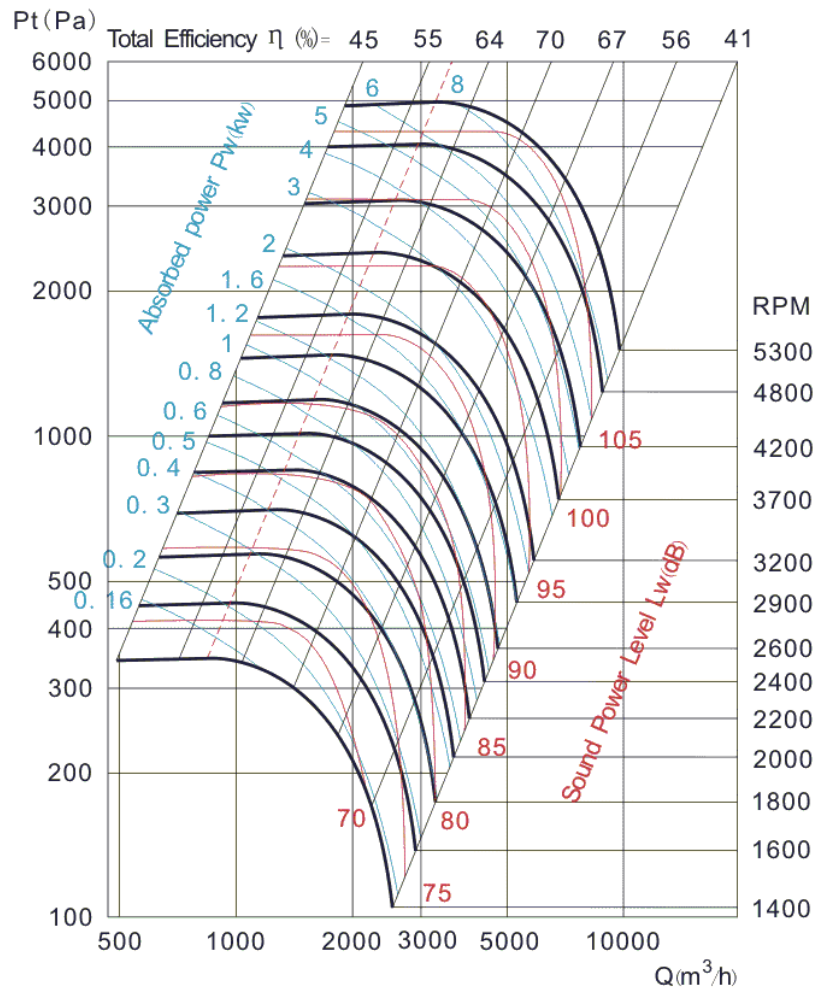
The stickum is not allowed in the fan gas, dust and hard particles contained no more than 150mg/m³
The maximum speed for 250mm is 3000rpm, its temperature range is from -20°C to 200°C.

Model	RPM	Power (kw)	Volume	Pressure
CBA-BA/BS-280BS	2900	1.5	1131	994
			1310	966
			1480	933
			1659	887
			1828	835
			2007	770
			2177	702
			2356	606

The stickum is not allowed in the fan gas, dust and hard particles contained no more than 150mg/m³
The maximum speed for 280mm is 3000rpm, its temperature range is from -20°C to 200°C.

CBA Centrifugal Blower

CBA-BA-315BS-X-X-X



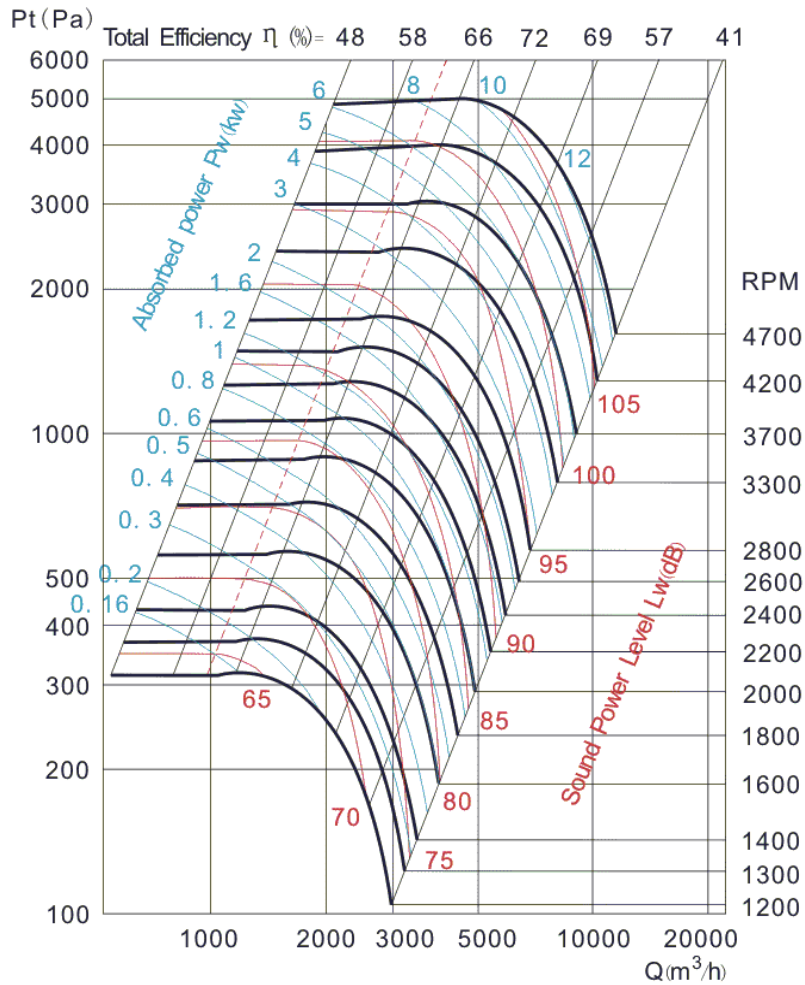
Model	RPM	Power (kw)	Volume	Pressure
CBA-BA/BS-315BS	2900	2.2	2656	1300
			2950	1100
			3350	1030
			3820	890
			3950	870
			4260	720
			4430	680
			4750	580
	1450	0.37	1060	332
			1295	321
			1432	311
			1512	300
			1688	275
			1867	258
			1912	232
			2000	200

The stickum is not allowed in the fan gas, dust and hard particles contained no more than 150mg/m³

The maximum speed for 315mm is 3000rpm, its temperature range is from -20°C to 200°C.

CBA Centrifugal Blower

CBA-BA-355BS-X-X-X

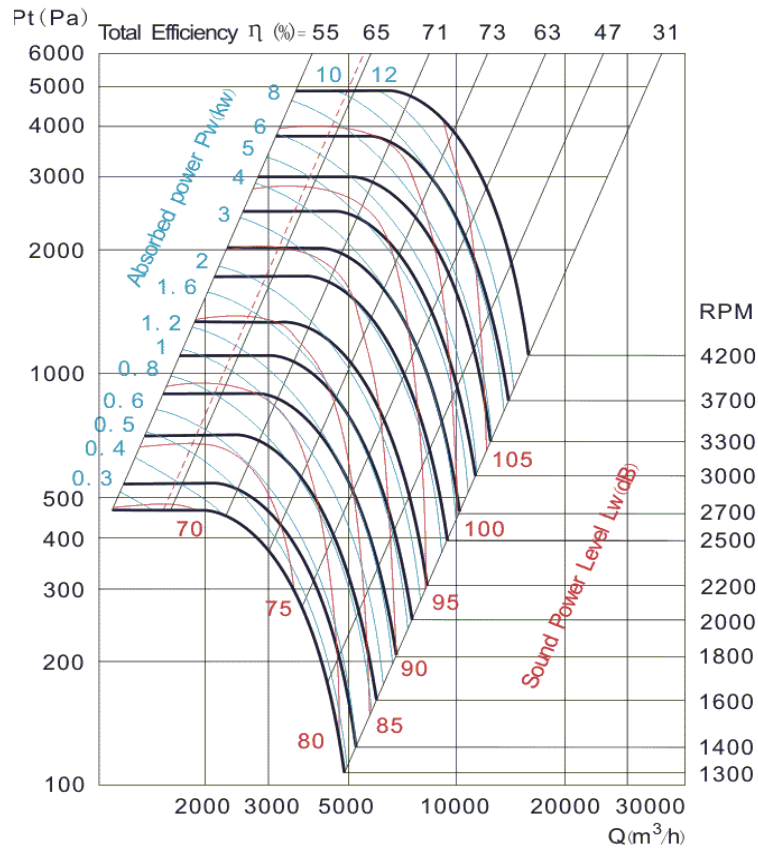


Model	RPM	Power (kw)	Volume	Pressure
CBA-BA/BS-355BS	2900	3	2700	1825
			3200	1800
			3850	1710
			4500	1551
			4910	1407
			5551	1151
			6008	1001
			7000	651
	1450	0.55	1460	445
			1700	415
			1920	408
			2290	351
			2512	328
			2718	275
			3259	187
			3001	238

The stickum is not allowed in the fan gas, dust and hard particles contained no more than 150mg/m³
The maximum speed for 355mm is 3000rpm, its temperature range is from -20°C to 200°C.

CBA Centrifugal Blower

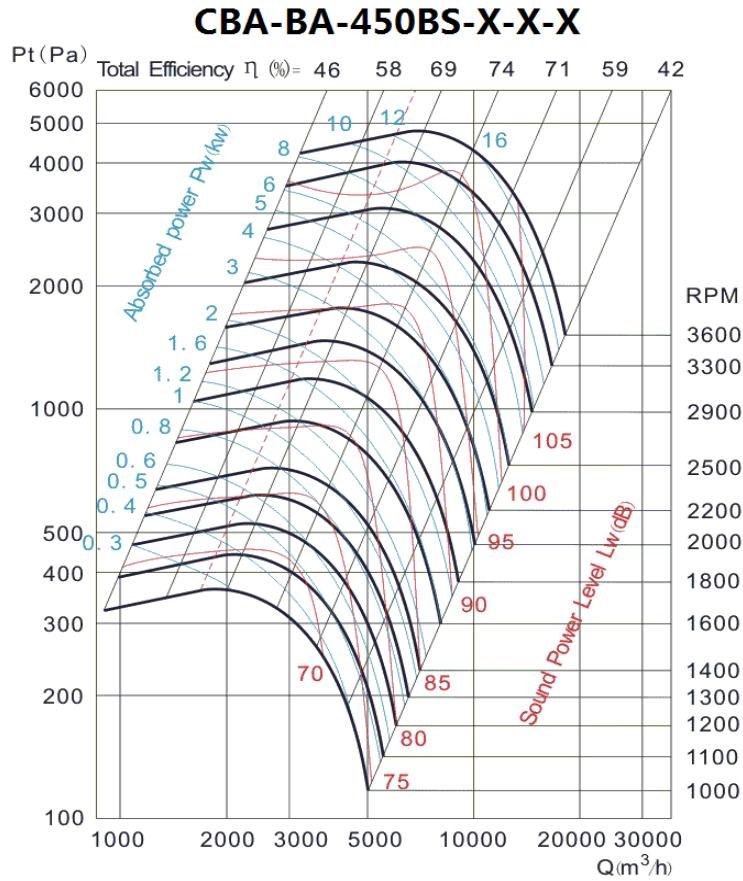
CBA-BA-400BS-X-X-X



Model	RPM	Power (kw)	Volume	Pressure
CBA-BA/BS-400BS	2900	5.5	4912	2098
			5835	1912
			6800	1760
			7415	1681
			7682	1502
			7998	1415
			8565	1300
			9515	752
	2900	4	4912	2098
			5736	1935
			6712	1785
			7415	1680
			7800	1492
			8115	1415
			8457	1315
			9400	795
	1450	0.75	2516	582
			2850	515
			3311	435
			3702	381
			3957	342
			4132	316
			4400	297
			4700	285

The stickum is not allowed in the fan gas, dust and hard particles contained no more than 150mg/m³
The maximum speed for 400mm is 3000rpm, its temperature range is from -20°C to 200°C.

CBA Centrifugal Blower

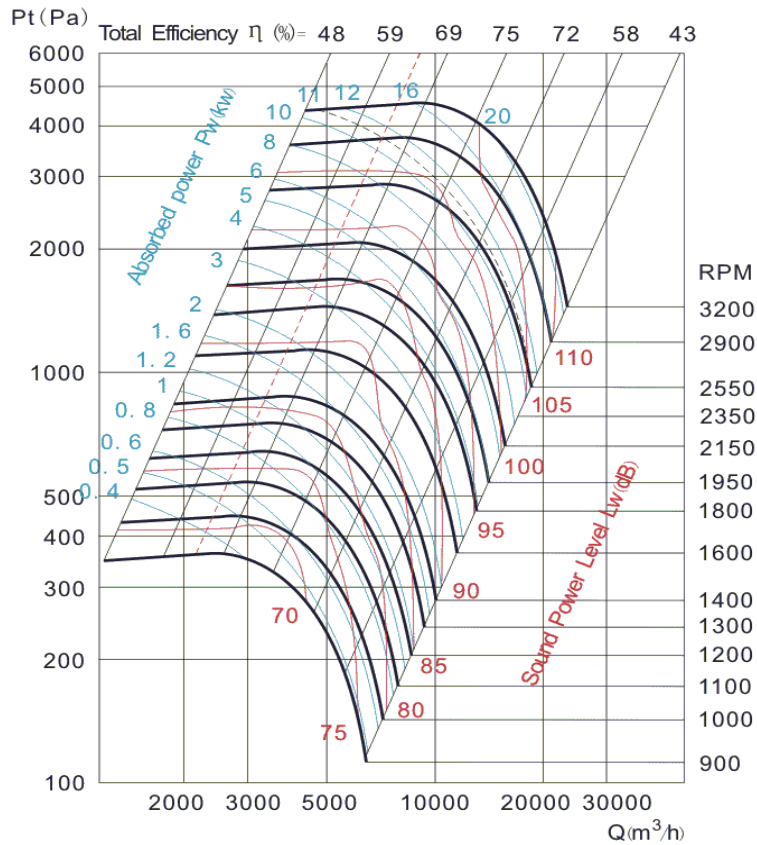


Model	RPM	Power (kw)	Volume	Pressure
CBA-BA/BS-450BS	2900	11	5820	2860
			6617	2815
			7345	2712
			8181	2598
			9100	2219
			10000	2058
			11245	1828
	13000	1450		
	2900	7.5	5820	2860
			6495	2835
			7245	2715
			8015	2612
			8995	2298
			9995	2064
			10700	1912
	12400	1651		
	1450	1.5	2821	755
			3001	685
			3568	658
			4255	595
			5003	531
5700			400	
6494			375	
7254	300			

The stickum is not allowed in the fan gas, dust and hard particles contained no more than 150mg/m³
The maximum speed for 450mm is 3000rpm, its temperature range is from -20°C to 200°C.

CBA Centrifugal Blower

CBA-BA-500BS-X-X-X

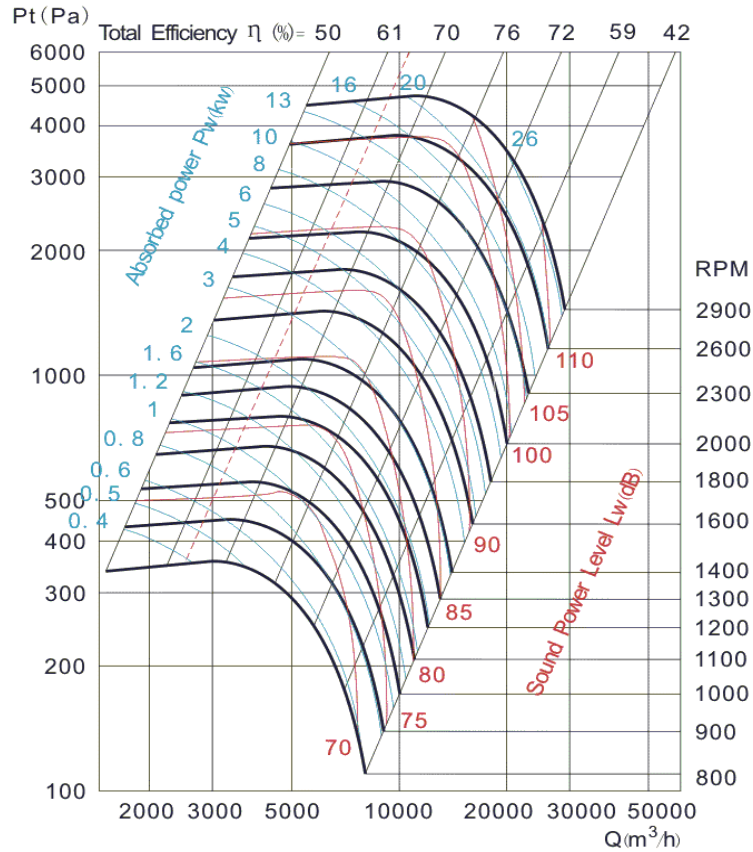


Model	RPM	Power (kw)	Volume	Pressure
CBA-BA/BS-500BS	2900	15	7885	3650
			9655	3475
			10688	3215
			11950	3017
			13157	2792
			14328	2514
			16588	2250
	18957	2050		
	1450	2.2	4152	907
			5451	875
			6600	830
			7158	695
			7640	658
			8457	515
			9082	443
	9800	315		
	950	1.1	2780	403
			3157	392
			3882	372
			4225	335
			4881	291
5495			255	
6050			202	
6950	150			

The stickum is not allowed in the fan gas, dust and hard particles contained no more than 150mg/m³
The maximum speed for 500mm is 3000rpm, its temperature range is from -20°C to 200°C.

CBA Centrifugal Blower

CBA-BA-560BS-X-X-X

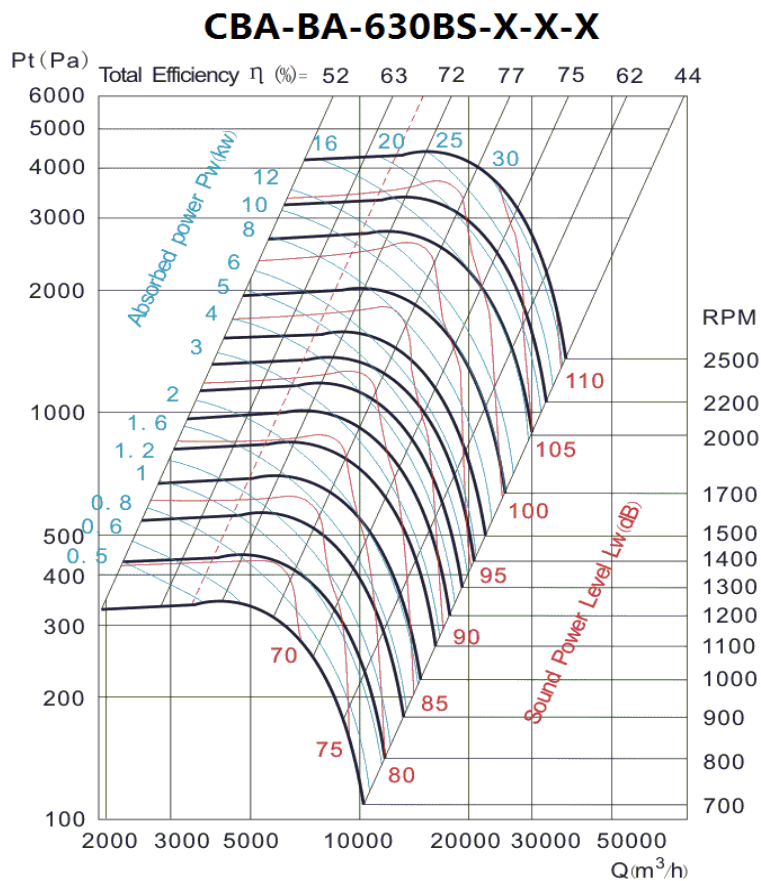


Model	RPM	Power (kw)	Volume	Pressure
CBA-BA/BS-560BS	1450	4	4041	1080
			5257	1095
			6003	1120
			7245	995
			8952	900
			10404	807
			12357	495
	15000	350		
	1450	3	4041	1080
			5145	1101
			5995	1123
			7145	992
			8750	921
			9955	795
			10700	751
	13500	450		
	950	1.1	2695	488
			3120	480
			3949	498
			4657	492
			5388	443
			6150	392
			7175	351
	8150	245		

The stickum is not allowed in the fan gas, dust and hard particles contained no more than 150mg/m³

The maximum speed for 560mm is 1450rpm, its temperature range is from -20°C to 200°C.

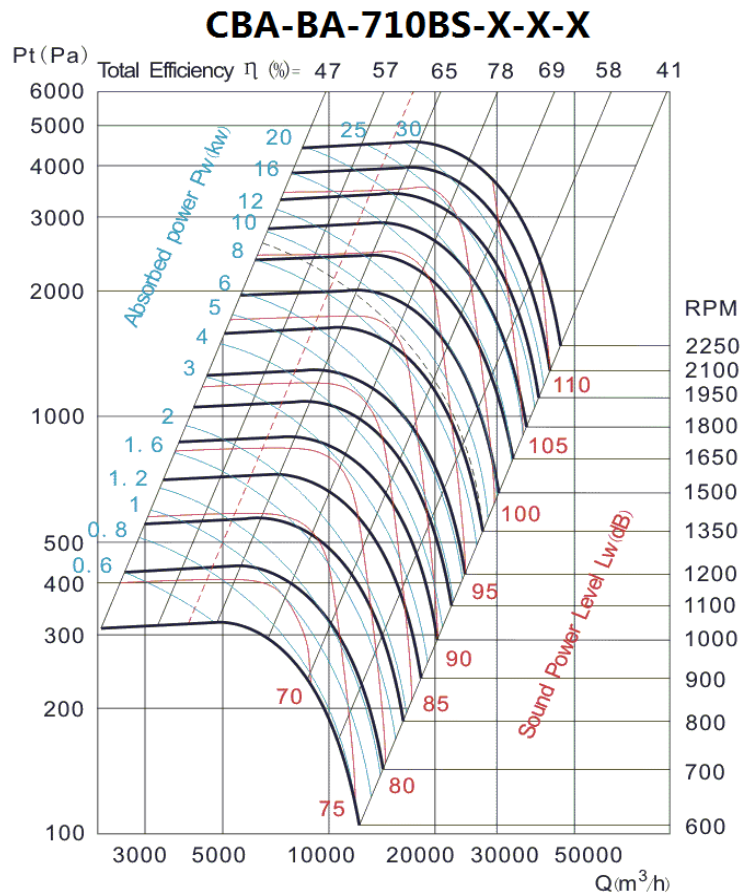
CBA Centrifugal Blower



Model	RPM	Power (kw)	Volume	Pressure
CBA-BA/BS-630BS	1450	7.5	8752	1440
			9657	1410
			11750	1395
			12201	1325
			13750	1212
			15810	1000
			17450	892
			20000	400
	1450	5.5	8752	1440
			9758	1400
			11880	1340
			12501	1315
			13175	1245
			13955	1205
			14655	1080
			17355	897
	950	2.2	5775	655
			6548	665
			7335	657
			8225	592
			9115	489
			10015	452
			11508	381
			12500	315

The stickum is not allowed in the fan gas, dust and hard particles contained no more than 150mg/m³
The maximum speed for 630mm is 1450rpm, its temperature range is from -20°C to 200°C.

CBA Centrifugal Blower

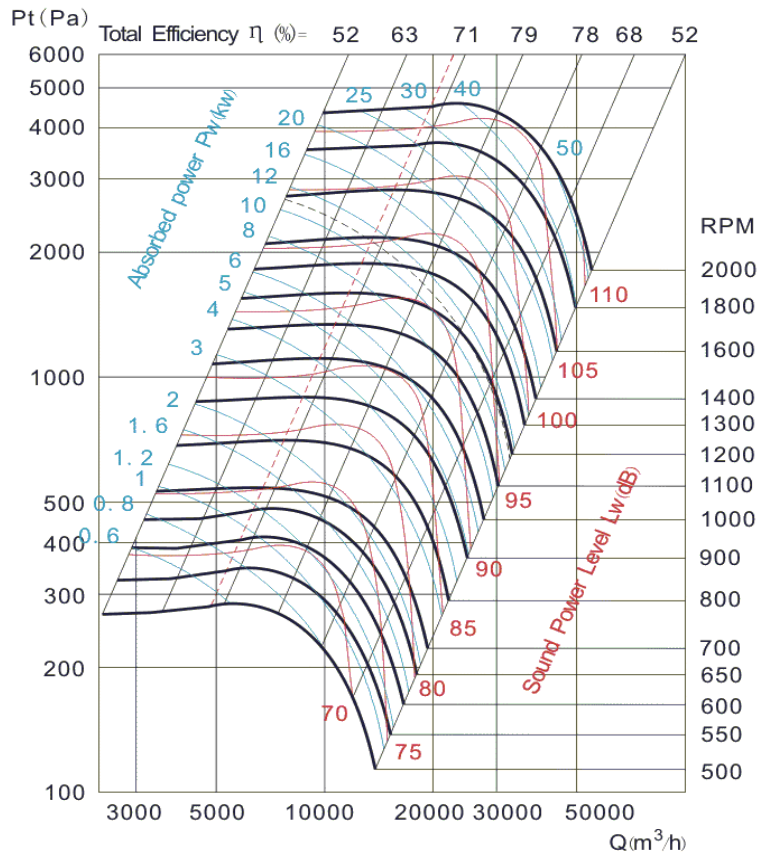


Model	RPM	Power (kw)	Volume	Pressure
CBA-BA/BS-710BS	1450	11	11550	1793
			14500	1750
			16250	1665
			18350	1515
			20188	1321
			22240	1142
			24675	895
			27508	625
	1450	7.5	11550	1793
			14750	1728
			16550	1635
			18355	1514
			20188	1321
			22240	1142
			23350	1020
			24675	895
	950	4	8025	853
			9225	817
			10951	786
			11654	749
			13175	697
			14652	621
			16210	502
			18255	315

The stickum is not allowed in the fan gas, dust and hard particles contained no more than 150mg/m³
The maximum speed for 710mm is 1450rpm, its temperature range is from -20°C to 200°C.

CBA Centrifugal Blower

CBA-BA-800BS-X-X-X



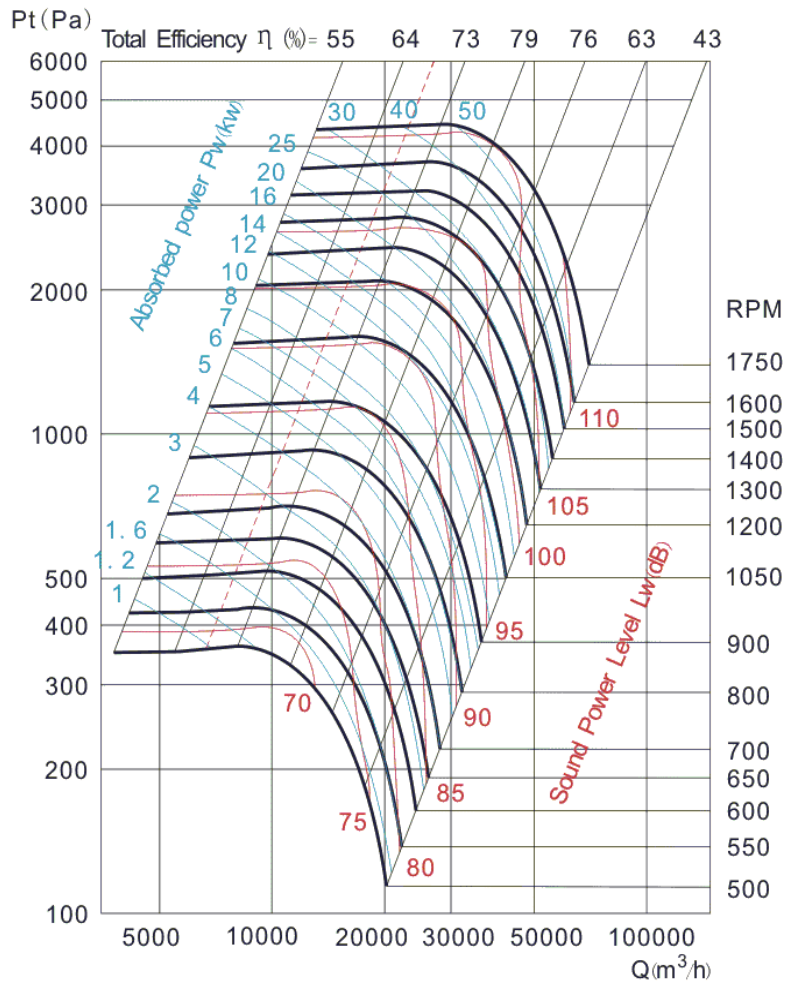
Model	RPM	Power (kw)	Volume	Pressure
CBA-BA/BS-800BS	1450	18.5	15525	2200
			21050	2098
			23597	1992
			26051	1895
			29788	1765
			32150	1595
			34800	1430
			40000	987
	1450	15	15525	2200
			21050	2098
			23597	1992
			25900	1915
			28057	1810
			31255	1695
			33978	1525
			37958	1095
	950	7.5	9975	998
			12150	987
			14857	972
			17565	917
			19080	848
			22755	675
			24150	517
			26300	495

The stickum is not allowed in the fan gas, dust and hard particles contained no more than 150mg/m³

The maximum speed for 800mm is 1450rpm, its temperature range is from -20°C to 200°C.

CBA Centrifugal Blower

CBA-BA-900BS-X-X-X

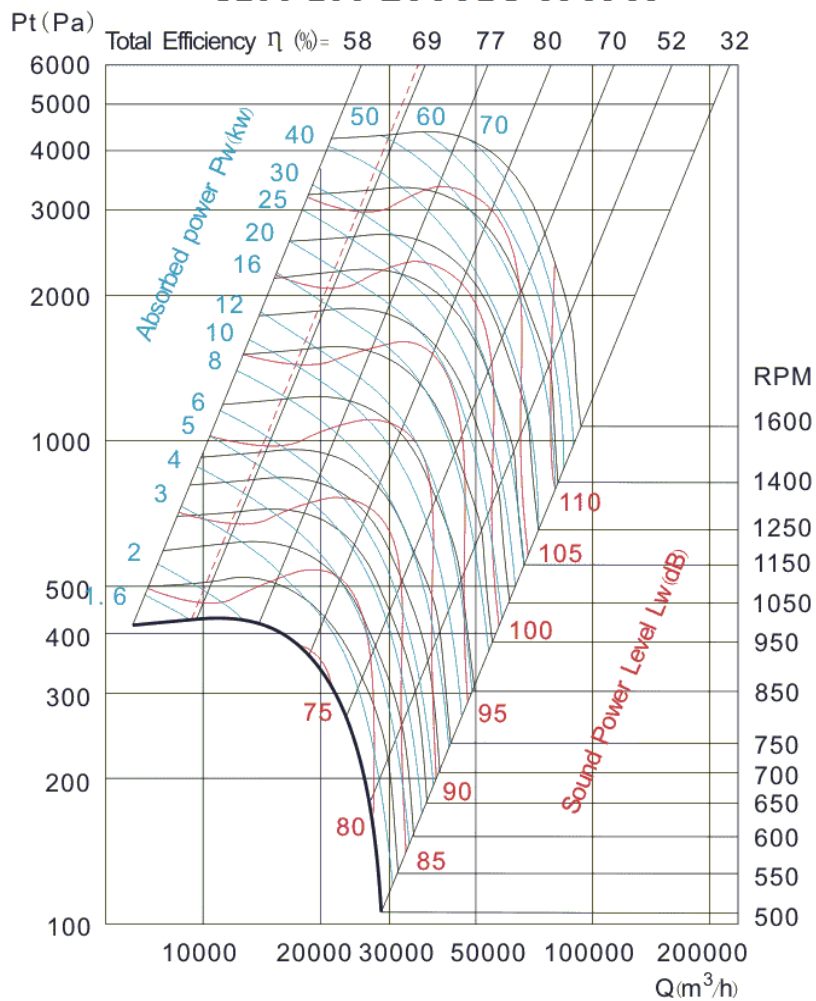


Model	RPM	Power (kw)	Volume	Pressure
CBA-BA/BS-900BS	1450	30	23000	2860
			25780	2845
			27700	2792
			31345	2625
			36700	2465
			41300	2065
			46457	1810
			51758	1078
	950	11	16450	1421
			18950	1358
			20800	1268
			23975	1075
			25653	1012
			28145	972
			30100	857
			35798	425

The stickum is not allowed in the fan gas, dust and hard particles contained no more than 150mg/m³
The maximum speed for 900mm is 1450rpm, its temperature range is from -20°C to 200°C.

CBA Centrifugal Blower

CBA-BA-1000BS-X-X-X

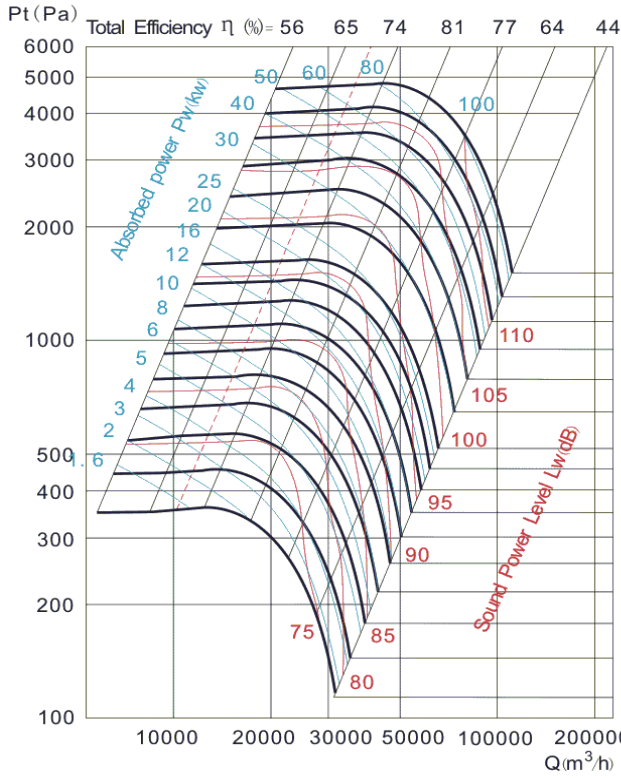


Model	RPM	Power (kw)	Volume	Pressure
CBA-BA/BS-1000BS	950	18.5	23800	1640
			27250	1610
			31145	1515
			37158	1398
			41500	1185
			44100	1075
			48112	975
	51857	515		
	720	7.5	13255	903
			16654	875
			20000	835
			23650	812
			27958	742
			32200	538
35950			497	
39150	302			

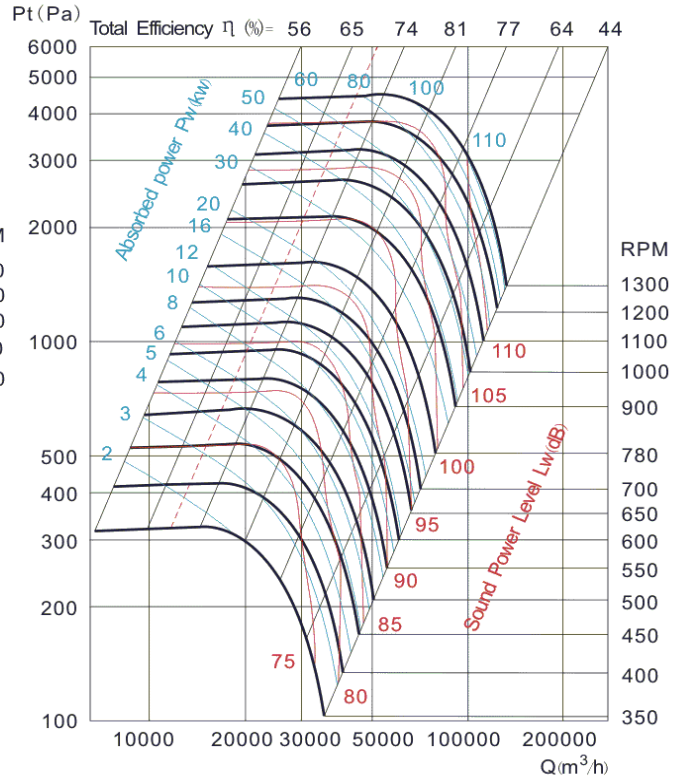
The stickum is not allowed in the fan gas, dust and hard particles contained no more than 150mg/m³
The maximum speed for 1000mm is 960rpm, its temperature range is from -20°C to 200°C.

CBA Centrifugal Blower

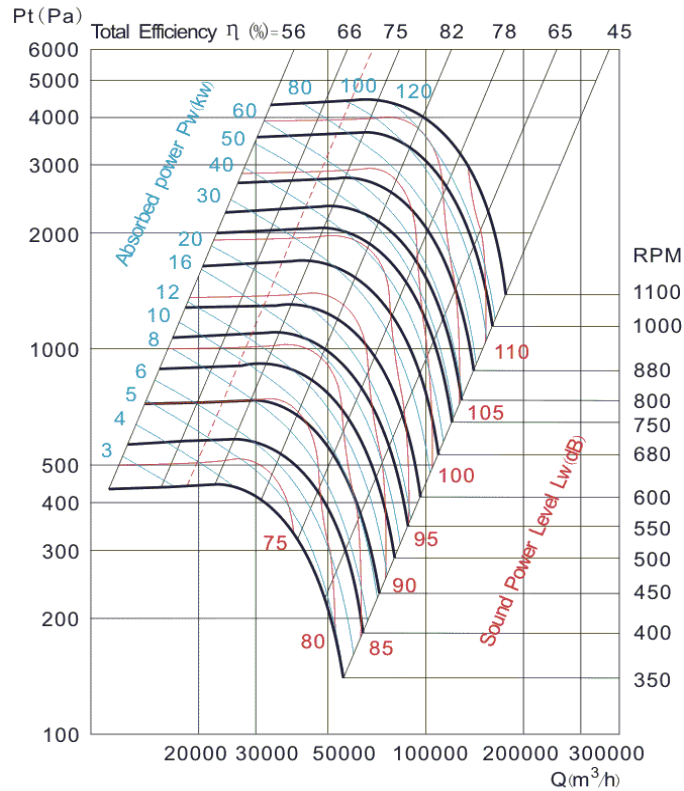
CBA-BA-1120BS-X-X-X



CBA-BA-1250BS-X-X-X



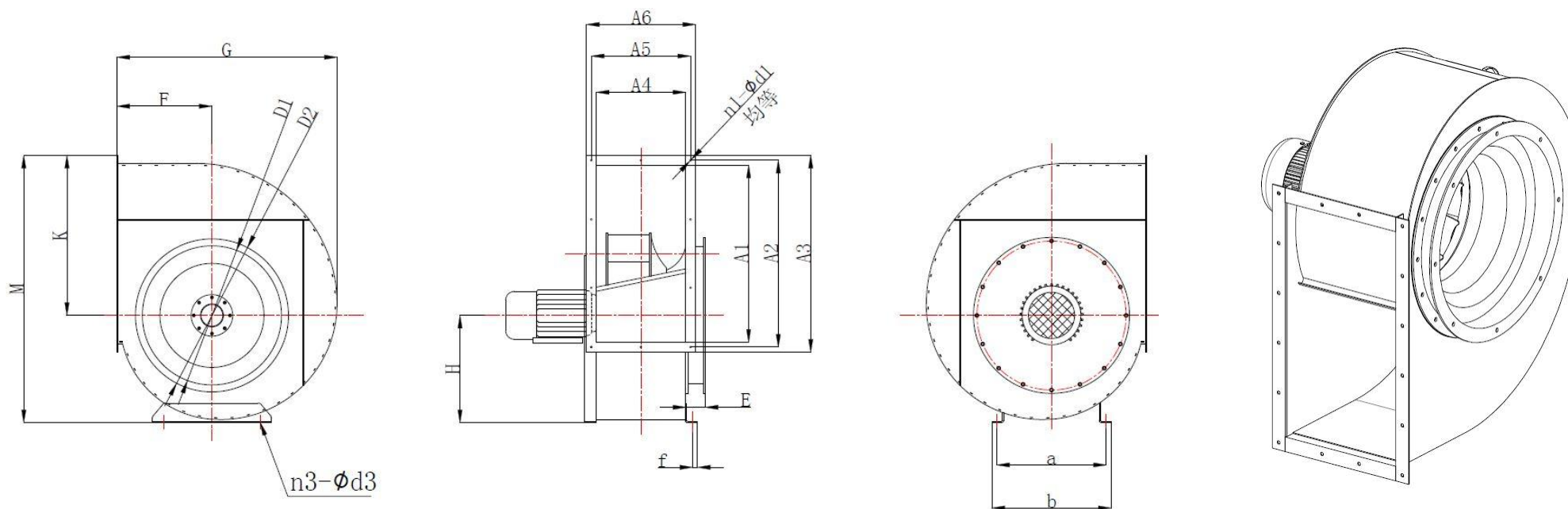
CBA-BA-1400BS-X-X-X



The stickum is not allowed in the fan gas, dust and hard particles contained no more than 150mg/m³

CBA Centrifugal Blower

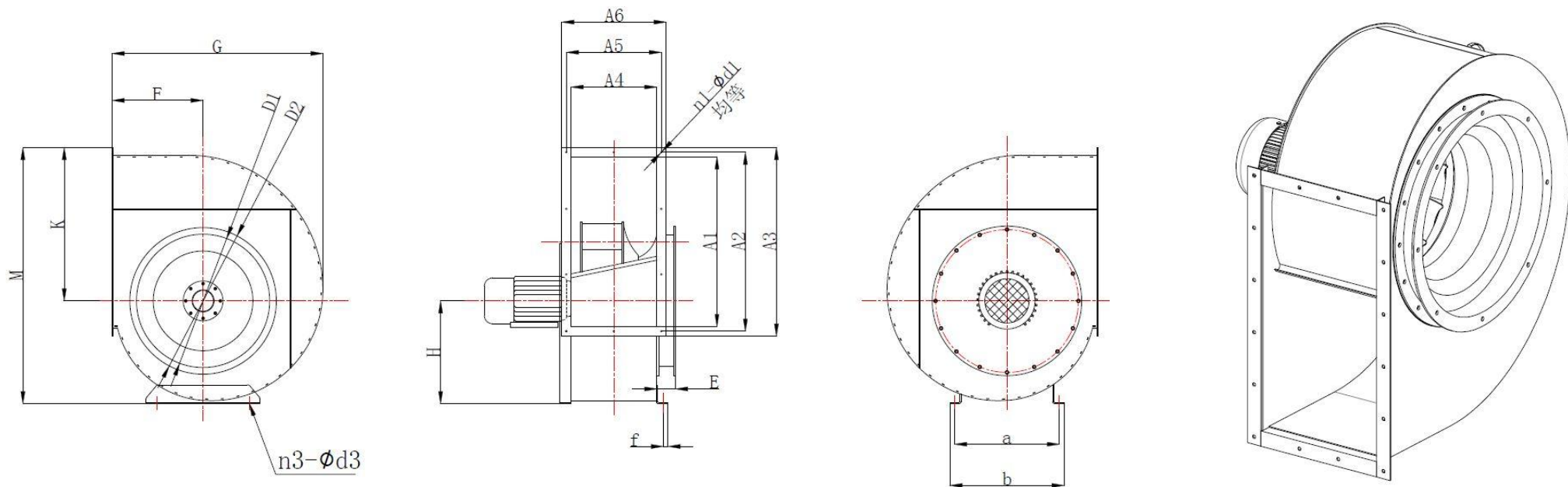
CBA-BA-XXXBS-A-N Dimension (250-710)



型号Model	外形尺寸Outside dimension					中心高H Central High	安装尺寸installation dimension		
	M	G	F	K	E	0°	a	b	f
CBA-BA-250BS-A-N-X	510	427	215	300	64	315	230	260	13
CBA-BA-280BS-A-N-X	562	473	215	332	64	347	230	260	13
CBA-BA-315BS-A-N-X	631	526	236	374	64	389	324	360	18
CBA-BA-355BS-A-N-X	702	585	261	416	65	431	390	430	18
CBA-BA-400BS-A-N-X	781	652	290	464	65	479	400	440	18
CBA-BA-450BS-A-N-X	874	729	322	519	65	534	440	480	18
CBA-BA-500BS-A-N-X	961	804	352	570	65	585	390	430	18
CBA-BA-560BS-A-N-X	1065	886	388	631	65	648	390	430	18
CBA-BA-630BS-A-N-X	1214	999	434	728	73	743	510	550	23
CBA-BA-710BS-A-N-X	1364	1123	485	817	73	832	558	608	23

CKS FangYuan Industry has the right to change the engineering data, design and dimension without prior notice

CBA Centrifugal Blower

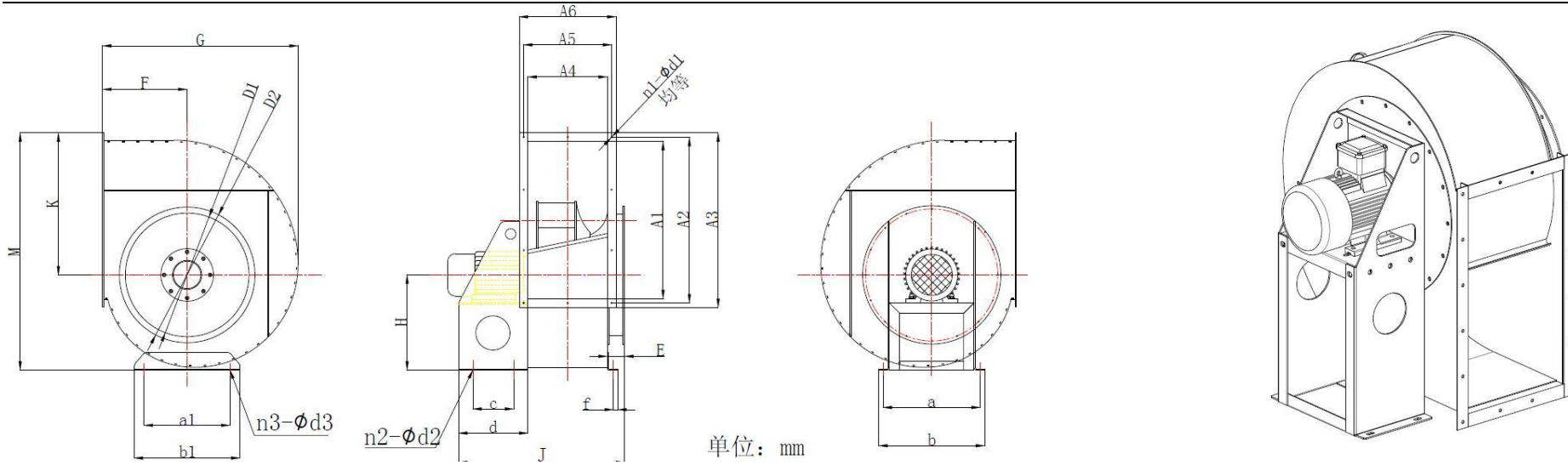


型号	入风口尺寸Inlet dimension		出风口尺寸Outlet dimension						安装孔个数Amount of Hole		配备电机规格Motor
	ØD1	ØD2	A1	A2	A3	A4	A5	A6	n1-Ød1	n3-Ød3	kw(千瓦) /p(极)
CBA-BA-250BS-A-N-X	250	310	322	354	384	175	208	238	8-Ø8	2-Ø10x15	Please check Engineering data
CBA-BA-280BS-A-N-X	280	340	360	390	420	195	230	260	8-Ø8	2-Ø10x15	
CBA-BA-315BS-A-N-X	315	375	410	442	472	220	254	283	8-Ø8	2-Ø10x20	
CBA-BA-355BS-A-N-X	355	415	456	492	520	243	276	307	10-Ø8	2-Ø10x20	
CBA-BA-400BS-A-N-X	400	460	507	546	570	270	303	334	10-Ø8	2-Ø10x20	
CBA-BA-450BS-A-N-X	450	510	572	606	635	304	339	368	10-Ø8	2-Ø10x20	
CBA-BA-500BS-A-N-X	500	560	638	672	702	341	375	405	12-Ø8	2-Ø10x20	
CBA-BA-560BS-A-N-X	560	620	721	756	785	378	414	444	12-Ø8	2-Ø10x20	
CBA-BA-630BS-A-N-X	630	700	801	855	905	427	483	533	18-Ø10	2-Ø14x25	
CBA-BA-710BS-A-N-X	710	780	900	953	1003	450	506	556	18-Ø10	2-Ø14x25	

CKS FangYuan Industry has the right to change the engineering data, design and dimension without prior notice

CBA Centrifugal Blower

CBA-BA-XXXBS-A-A Dimension (250-560)



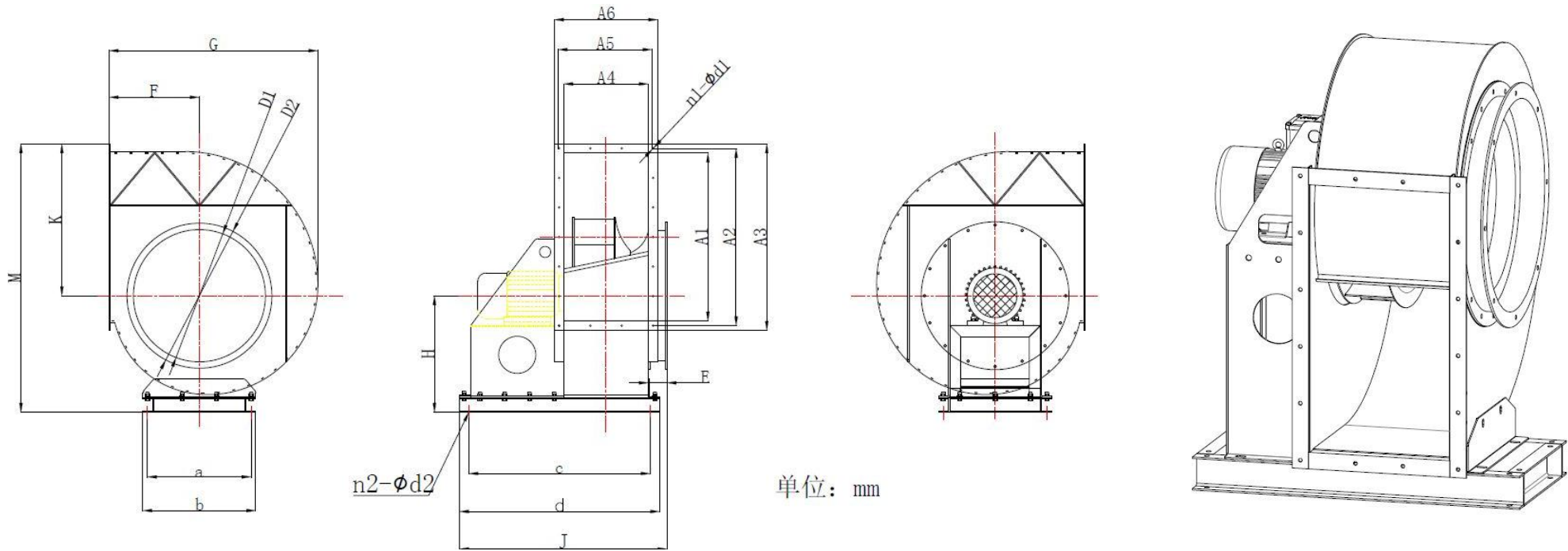
型号Model	外形尺寸Outside dimension						中心高H Central High			安装尺寸installation dimension						
	M	G	F	K	J	E	0°	90°	180°	a	b	c	d	a1	b1	f
CBA-BA-250BS-A-A-X	510	427	215	300	438	64	315	247	210	230	260	130	210	170	200	13
CBA-BA-280BS-A-A-X	562	473	215	332	460	64	347	273	230	230	260	130	210	170	200	13
CBA-BA-315BS-A-A-X	631	526	236	374	513	64	389	305	257	324	360	160	240	170	200	18
CBA-BA-355BS-A-A-X	702	585	261	416	547	65	431	339	286	390	430	170	250	170	200	18
CBA-BA-400BS-A-A-X	781	652	290	464	624	65	479	377	317	400	440	200	300	190	250	18
CBA-BA-450BS-A-A-X	874	729	322	519	638	65	531	422	355	440	480	300	400	270	300	18
CBA-BA-500BS-A-A-X	961	804	352	570	645	65	585	467	391	390	430	170	250	290	350	18
CBA-BA-560BS-A-A-X	1065	886	388	631	713	65	646	513	434	390	430	180	280	290	350	18

型号	入风口尺寸Inlet dimension		出风口尺寸Outlet dimension						安装孔个数			配备电机规格Motor
	ØD1	ØD2	A1	A2	A3	A4	A5	A6	n1-Ød1	n2-Ød2	n3-Ød3	kw(千瓦) / p (极)
CBA-BA-250BS-A-A-X	250	310	322	354	384	175	208	238	8-Ø8	4-Ø10x20	2-Ø10x15	Please check Engineering data
CBA-BA-280BS-A-A-X	280	340	360	390	420	195	230	260	8-Ø8	4-Ø10x20	2-Ø10x15	
CBA-BA-315BS-A-A-X	315	375	409	442	472	219	254	283	8-Ø8	4-Ø10x20	2-Ø10x15	
CBA-BA-355BS-A-A-X	355	415	456	492	520	243	276	307	10-Ø8	4-Ø10x20	2-Ø10x20	
CBA-BA-400BS-A-A-X	400	460	507	546	570	270	303	334	10-Ø8	4-Ø10x20	2-Ø10x20	
CBA-BA-450BS-A-A-X	450	510	572	606	635	304	339	368	10-Ø8	4-Ø10x20	2-Ø10x20	
CBA-BA-500BS-A-A-X	500	560	638	672	702	341	375	405	12-Ø8	4-Ø10x20	2-Ø10x20	
CBA-BA-560BS-A-A-X	560	620	721	756	785	378	414	444	12-Ø8	4-Ø10x20	2-Ø10x20	

CKS FangYuan Industry has the right to change the engineering data, design and dimension without prior notice

CBA Centrifugal Blower

CBA-BA-XXXBS-A-A Diemension (630-1000)



单位: mm

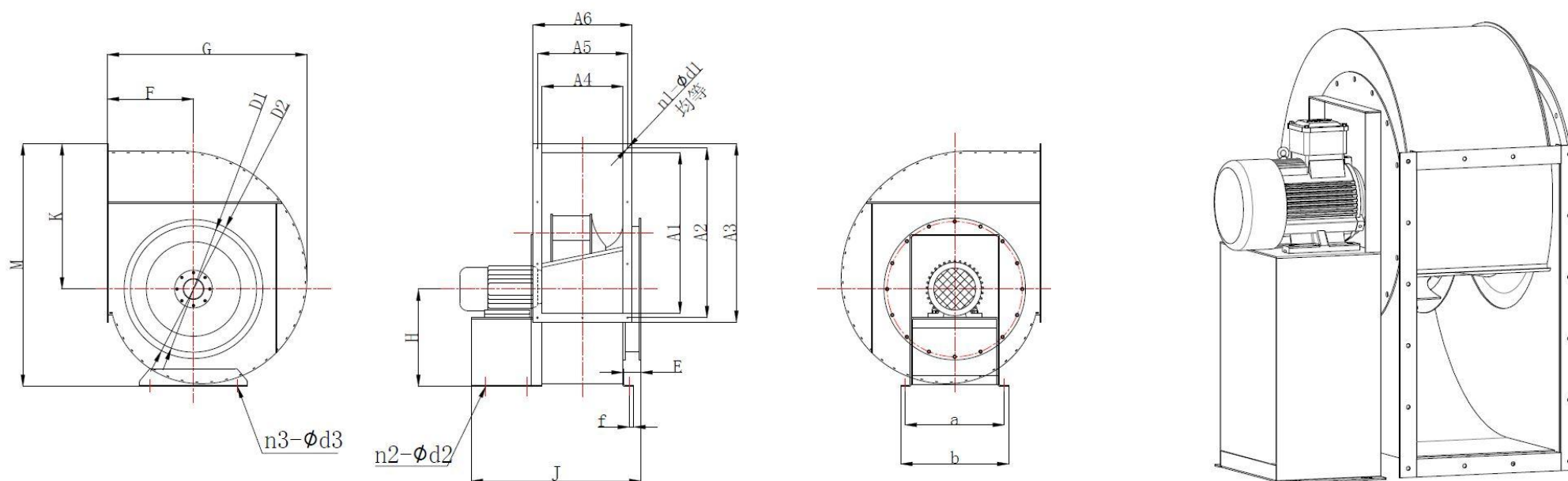
型号Model	外形尺寸Outside dimension						中心高H Central High			安装尺寸installation dimension			
	M	G	F	K	J	E	0°	90°	180°	a	b	c	d
CBA-BA-630BS-A-A-X	1289	999	434	728	1030	73	776	655	561	510	550	890	990
CBA-BA-710BS-A-A-X	1438	1123	485	817	1116	73	865	733	621	558	608	976	1076
CBA-BA-800BS-A-A-X	1606	1245	535	911	1221	73	959	810	695	608	658	1081	1181
CBA-BA-900BS-A-A-X	1758	1409	604	1021	1336	97	1088	920	780	654	704	1196	1296
CBA-BA-1000BS-A-A-X	1962	1541	657	1117	1625	97	1184	994	845	814	874	1250	1350

型号	入风口尺寸Inlet dimension		出风口尺寸Outlet dimension						安装孔个数Amount of Hole		配备电机规格Motor
	ØD1	ØD2	A1	A2	A3	A4	A5	A6	n1-Ød1	n2-Ød2	kw(千瓦) / p (极)
CBA-BA-630BS-A-A-X	630	700	801	855	905	427	483	533	18-Ø10	4-Ø15	Please check Engineering data
CBA-BA-710BS-A-A-X	710	780	900	953	1003	450	506	556	18-Ø10	4-Ø16	
CBA-BA-800BS-A-A-X	800	870	1008	1062	1112	505	561	611	18-Ø10	4-Ø18	
CBA-BA-900BS-A-A-X	900	970	1131	1185	1235	571	627	677	18-Ø10	4-Ø20	
CBA-BA-1000BS-A-A-X	1008	1080	1266	1320	1370	657	714	765	18-Ø10	6-Ø20	

CKS FangYuan Industry has the right to change the engineering data, design and dimension without prior notice

CBA Centrifugal Blower

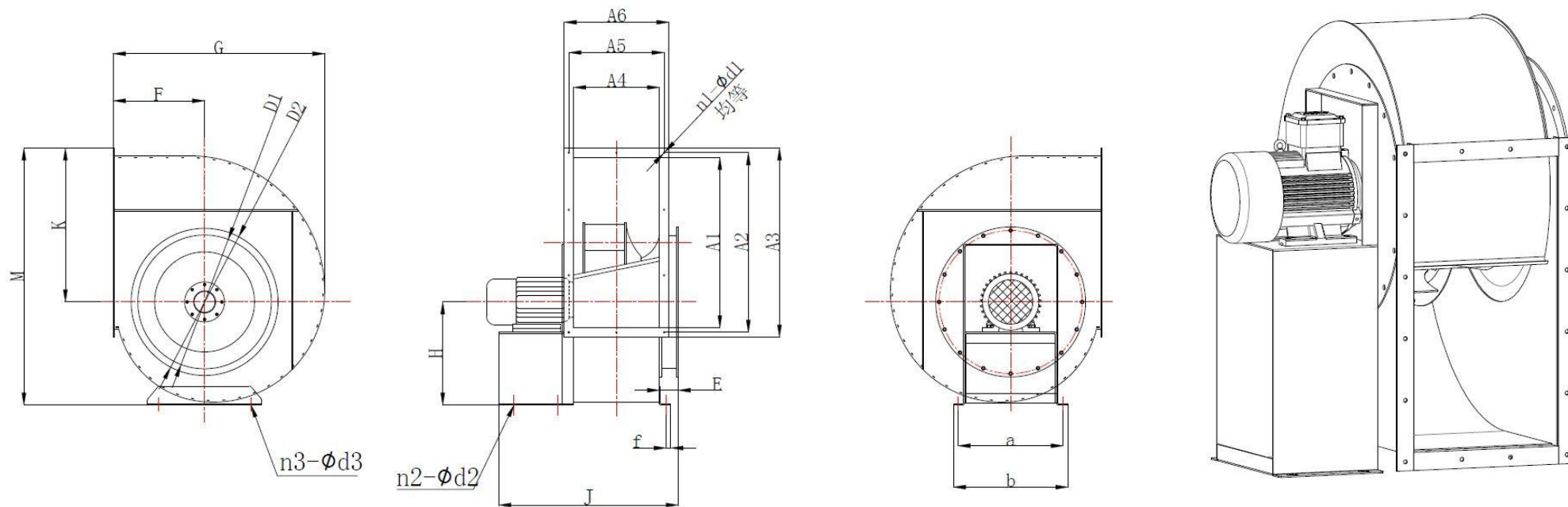
CBA-BA-XXXBS-A-B Dimension (250-710)



型号Model	外形尺寸Outside dimension						中心高H Central High	安装尺寸installation dimension		
	M	G	F	K	J	E	0°	a	b	f
CBA-BA-250BS-A-B-X	510	427	215	300	438	64	315	230	260	13
CBA-BA-280BS-A-B-X	562	473	215	332	460	64	347	230	260	13
CBA-BA-315BS-A-B-X	631	526	236	374	558	64	389	324	360	18
CBA-BA-355BS-A-B-X	702	585	261	416	547	65	431	390	430	18
CBA-BA-400BS-A-B-X	781	652	290	464	624	65	479	400	440	18
CBA-BA-450BS-A-B-X	874	729	322	519	638	65	531	440	480	18
CBA-BA-500BS-A-B-X	961	804	352	570	645	65	585	390	430	18
CBA-BA-560BS-A-B-X	1065	886	388	631	713	65	646	390	430	18
CBA-BA-630BS-A-B-X	1214	999	434	728	968	73	743	510	550	23
CBA-BA-710BS-A-B-X	1364	1123	485	817	1046	73	832	558	608	23

KS FangYuan Industry has the right to change the engineering data, design and dimension without prior notice

CBA Centrifugal Blower

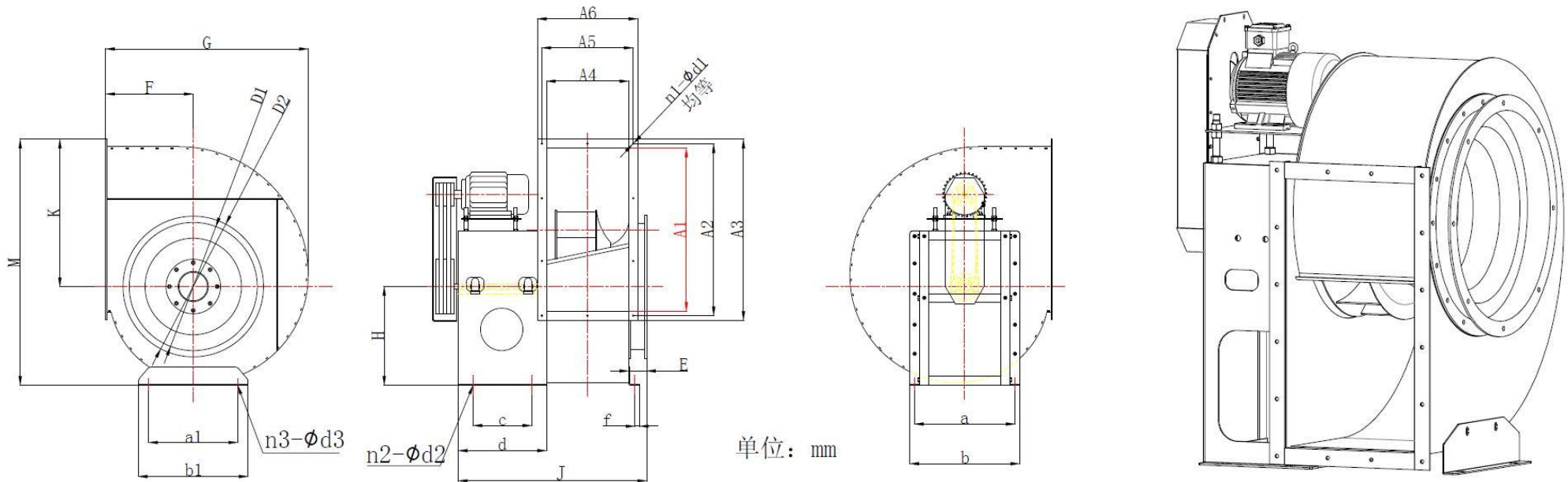


型号	入风口尺寸 Inlet dimension		出风口尺寸 Outlet dimension						安装孔个数 Amount of Hole			配备电机规格 Motor
	ØD1	ØD2	A1	A2	A3	A4	A5	A6	n1-Ød1	n2-Ød2	n3-Ød3	kw(千瓦) / p (极)
CBA-BA-250BS-A-B-X	250	310	322	354	384	175	208	238	8-Ø8	4-Ø10x20	2-Ø10x15	Please check Engineering data
CBA-BA-280BS-A-B-X	280	340	360	390	420	195	230	260	8-Ø8	4-Ø10x20	2-Ø10x15	
CBA-BA-315BS-A-B-X	315	375	410	442	472	220	254	283	8-Ø8	4-Ø10x20	2-Ø10x20	
CBA-BA-355BS-A-B-X	355	415	456	492	520	243	276	307	10-Ø8	4-Ø10x20	2-Ø10x20	
CBA-BA-400BS-A-B-X	400	460	507	546	570	270	303	334	10-Ø8	4-Ø10x20	2-Ø10x20	
CBA-BA-450BS-A-B-X	450	510	572	606	635	304	339	368	10-Ø8	4-Ø10x20	2-Ø10x20	
CBA-BA-500BS-A-B-X	500	560	638	672	702	341	375	405	12-Ø8	4-Ø10x20	2-Ø10x20	
CBA-BA-560BS-A-B-X	560	620	721	756	785	378	414	444	12-Ø8	4-Ø10x20	2-Ø10x20	
CBA-BA-630BS-A-B-X	630	700	801	855	905	427	483	533	18-Ø10	4-Ø14x25	2-Ø14x25	
CBA-BA-710BS-A-B-X	710	780	900	953	1003	450	506	556	18-Ø10	4-Ø14x25	2-Ø14x25	

CKS FangYuan Industry has the right to change the engineering data, design and dimension without prior notice

CBA Centrifugal Blower

CBA-BA-XXXBS-C-K Dimension (315-560)



单位: mm

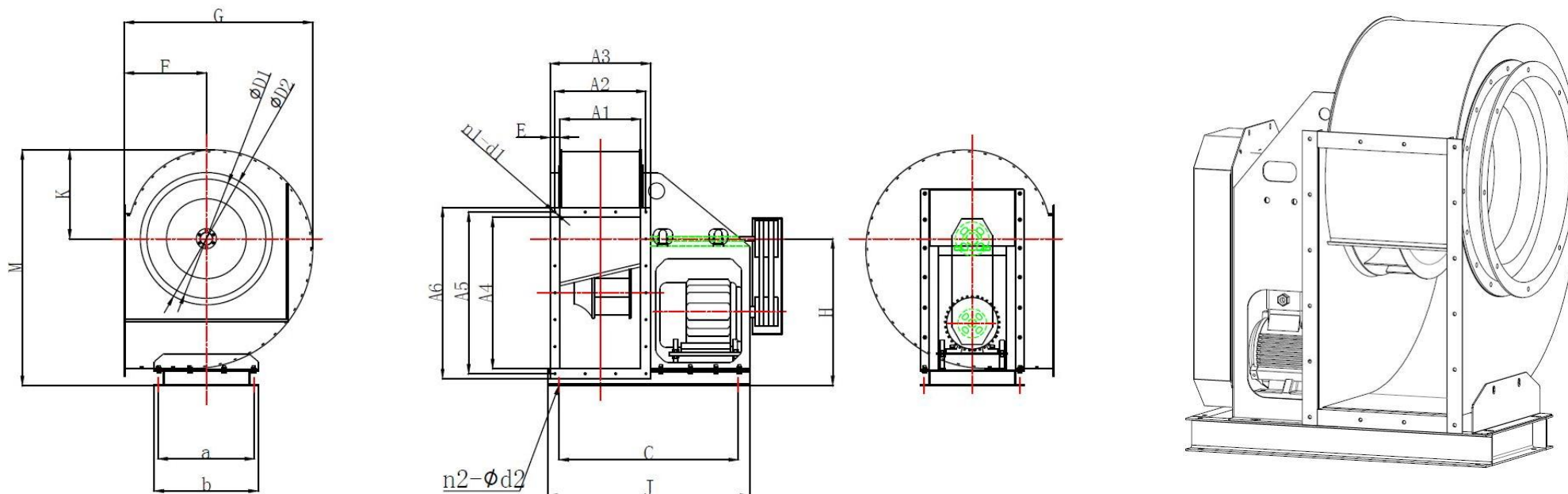
型号Model	外形尺寸Outside dimension						中心高H Central High			安装尺寸installation dimension						
	M	G	F	K	J	E	0°	90°	180°	a	b	c	d	a1	b1	f
CBA-BA-315BS-C-K-X	510	427	215	300	438	64	315	247	210	230	260	130	210	170	200	13
CBA-BA-355BS-C-K-X	702	585	261	416	547	65	431	339	286	390	430	170	250	170	200	18
CBA-BA-400BS-C-K-X	781	652	290	464	624	65	479	377	317	400	440	200	300	190	250	18
CBA-BA-450BS-C-K-X	874	729	322	519	638	65	531	422	355	440	480	300	400	270	300	18
CBA-BA-500BS-C-K-X	961	804	352	570	645	65	585	467	391	390	430	170	250	290	350	18
CBA-BA-560BS-C-K-X	1065	886	388	631	713	65	646	513	434	390	430	180	280	290	350	18

型号	入风口尺寸Inlet dimension		出风口尺寸Outlet dimension						安装孔个数Amount of Hole			配备电机规格Motor	
	ØD1	ØD2	A1	A2	A3	A4	A5	A6	n1-Ød1	n2-Ød2	n3-Ød3	kw(千瓦) / p (极)	
CBA-BA-315BS-C-K-X	250	310	322	354	384	175	208	238	8-Ø8	4-Ø10x20	2-Ø10x15	Please check Engineering data	
CBA-BA-355BS-C-K-X	355	415	456	492	520	243	276	307	10-Ø8	4-Ø10x20	2-Ø10x20		
CBA-BA-400BS-C-K-X	400	460	507	546	570	270	303	334	10-Ø8	4-Ø10x20	2-Ø10x20		
CBA-BA-450BS-C-K-X	450	510	572	606	635	304	339	368	10-Ø8	4-Ø10x20	2-Ø10x20		
CBA-BA-500BS-C-K-X	500	560	638	672	702	341	375	405	12-Ø8	4-Ø10x20	2-Ø10x20		
CBA-BA-560BS-C-K-X	560	620	721	756	785	378	414	444	12-Ø8	4-Ø10x20	2-Ø10x20		

CKS FangYuan Industry has the right to change the engineering data, design and dimension without prior notice

CBA Centrifugal Blower

CBA-BA-XXXBS-C-K Dimension (630-1400)

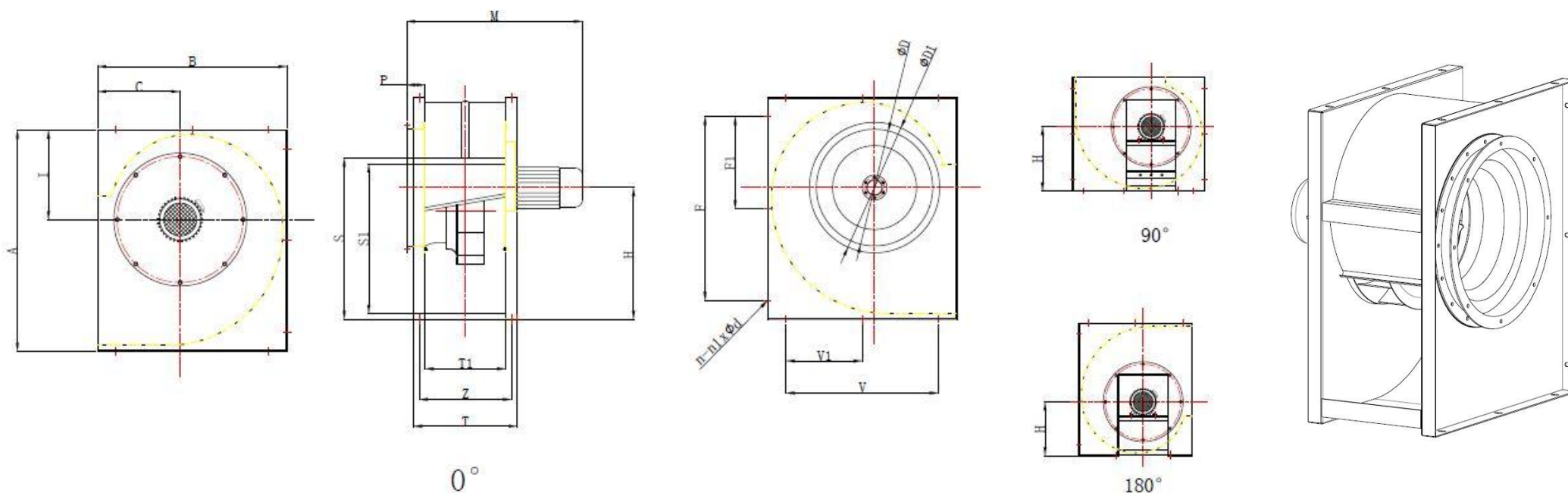


型号Model	外形尺寸Outside dimension						中心高H Central High		安装尺寸Installation dimension			
	M	G	F	K	J	E	0°		a	b	c	d
CBA-BA-630BS-C-K-X	1289	999	434	728	1030	73	776		510	550	890	990
CBA-BA-710BS-C-K-X	1438	1123	485	817	1116	73	865		558	608	976	1076
CBA-BA-800BS-C-K-X	1606	1245	535	911	1221	73	959		608	658	1081	1181
CBA-BA-900BS-C-K-X	1758	1409	604	1021	1336	97	1088		654	704	1196	1296
CBA-BA-1000BS-C-K-X	1962	1541	657	1117	1625	97	1184		814	874	1250	1350
型号	入风口尺寸Inlet dimension		出风口尺寸Outlet dimension						安装孔个数Amount of Hole		配备电机规格Motor	
	ØD1	ØD2	A1	A2	A3	A4	A5	A6	n1-Ød1	n2-Ød2	kw(千瓦) /p(极)	
CBA-BA-630BS-C-K-X	630	700	801	855	905	427	483	533	18-Ø10	4-Ø15	Please check Engineering data	
CBA-BA-710BS-C-K-X	710	780	900	953	1003	450	506	556	18-Ø10	4-Ø16		
CBA-BA-800BS-C-K-X	800	870	1008	1062	1112	505	561	611	18-Ø10	4-Ø18		
CBA-BA-900BS-C-K-X	900	970	1131	1185	1235	571	627	677	18-Ø10	4-Ø20		
CBA-BA-1000BS-C-K-X	1008	1080	1266	1320	1370	657	714	765	18-Ø10	6-Ø20		

CKS FangYuan Industry has the right to change the engineering data, design and dimension without prior notice

CBA Centrifugal Blower

CBA-BS-XXXBS-A-N Dimension (250-560)

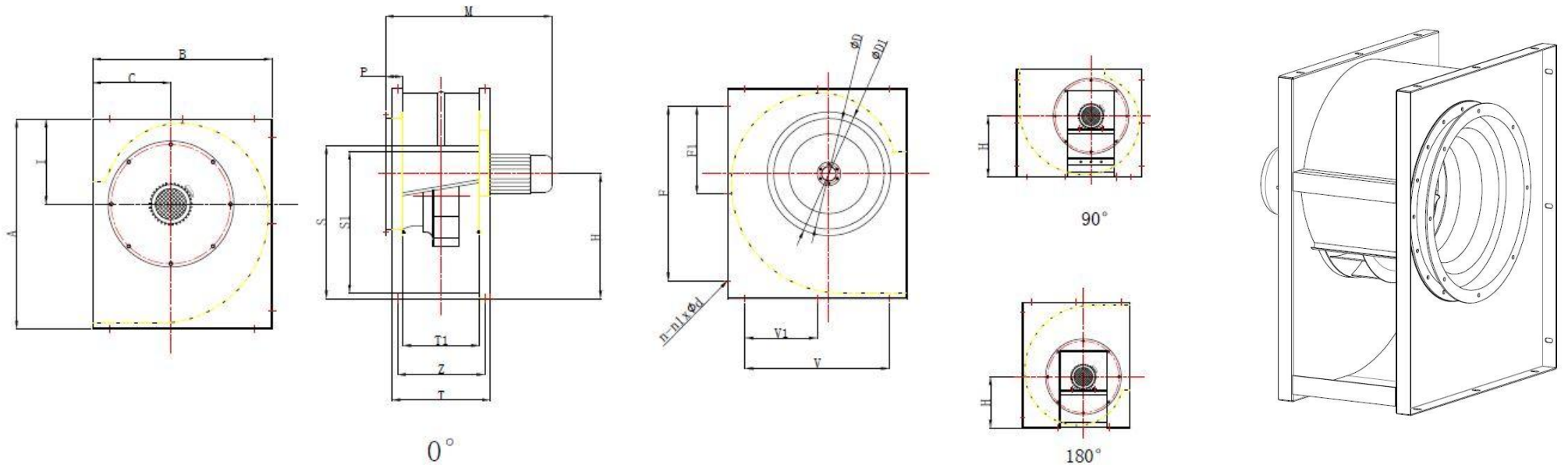


型号Model	外形尺寸Outside Dimension						中心高Central High		
	A	B	C	I	M	P	H		
							0°	90°	180°
CBA-BS-250BS-A-N-X	498	435	195	201	600	64	297	240	201
CBA-BS-280BS-A-N-X	549	481	215	221	690	64	329	266	221
CBA-BS-315BS-A-N-X	615	534	236	249	720	64	367	299	248
CBA-BS-355BS-A-N-X	686	592	261	277	765	65	409	331	277
CBA-BS-400BS-A-N-X	766	660	291	310	905	65	456	369	310
CBA-BS-450BS-A-N-X	859	737	323	348	900	65	511	414	348
CBA-BS-500BS-A-N-X	945	810	353	383	976	65	562	457	383
CBA-BS-560BS-A-N-X	1052	899	388	425	1145	65	627	511	425

CKS FangYuan Industry has the right to change the engineering data, design and dimension without prior notice

CBA Centrifugal Blower

CBA-BS-XXXBS-A-N Dimension (250-560)

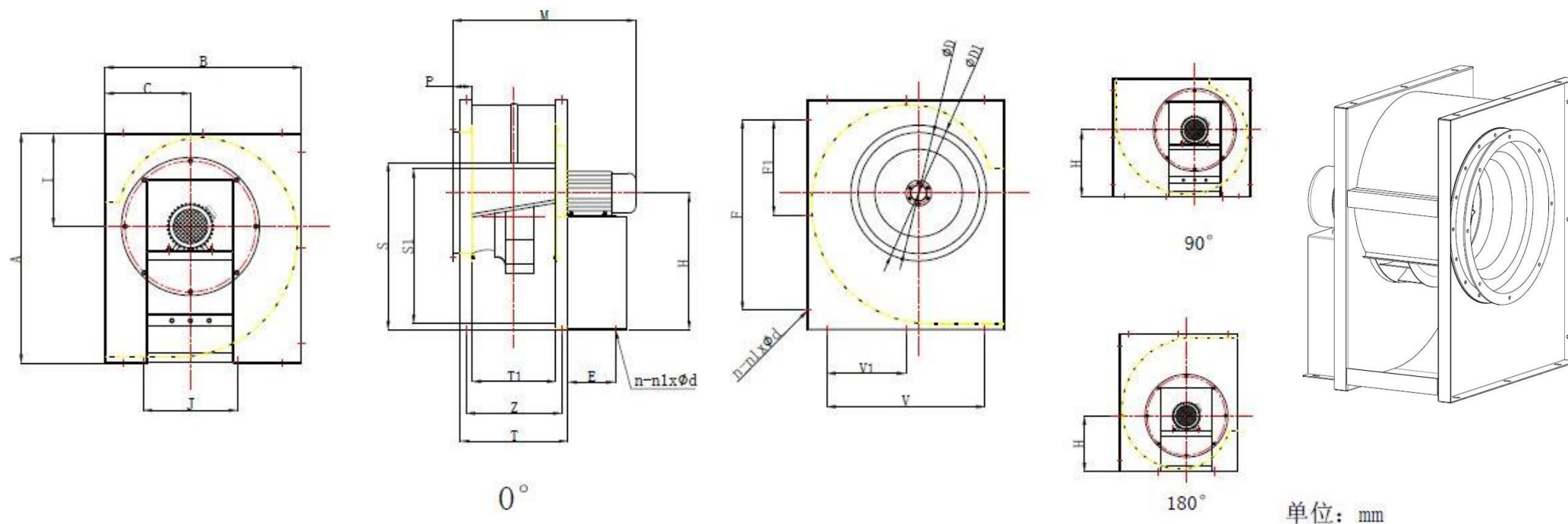


型号Model	安装尺寸Installation Dimension					出口风Outlet Dimension				进口风Inlet Dimension		安装孔Amount of Holes
	Z	V	V1	F	F1	S	S1	T	T1	ϕD	$\phi D1$	$n-n1 \times \phi d$
CBA-BS-250BS-A-N-X	225	326	\	389	\	370	322	275	175	255	315	$\phi 13 \times 20$
CBA-BS-280BS-A-N-X	245	372	\	440	\	411	363	295	195	285	345	$\phi 13 \times 20$
CBA-BS-315BS-A-N-X	274	426	\	507	\	454	406	324	224	320	380	$\phi 13 \times 20$
CBA-BS-355BS-A-N-X	297	484	242	578	289	504	456	347	247	360	430	$\phi 13 \times 20$
CBA-BS-400BS-A-N-X	325	553	276.5	659	329.5	557	509	375	275	406	476	$\phi 13 \times 20$
CBA-BS-450BS-A-N-X	359	579	289.5	701	350.5	619	571	409	309	458	528	$\phi 13 \times 20$
CBA-BS-500BS-A-N-X	396	653	326.5	788	394	688	640	446	346	508	578	$\phi 13 \times 20$
CBA-BS-560BS-A-N-X	434	738	369	891	445.5	747	723	484	384	568	638	$\phi 13 \times 20$

CKS FangYuan Industry has the right to change the engineering data, design and dimension without prior notice

CBA Centrifugal Blower

CBA-BS-XXXBS-A-B Dimension (250-560)



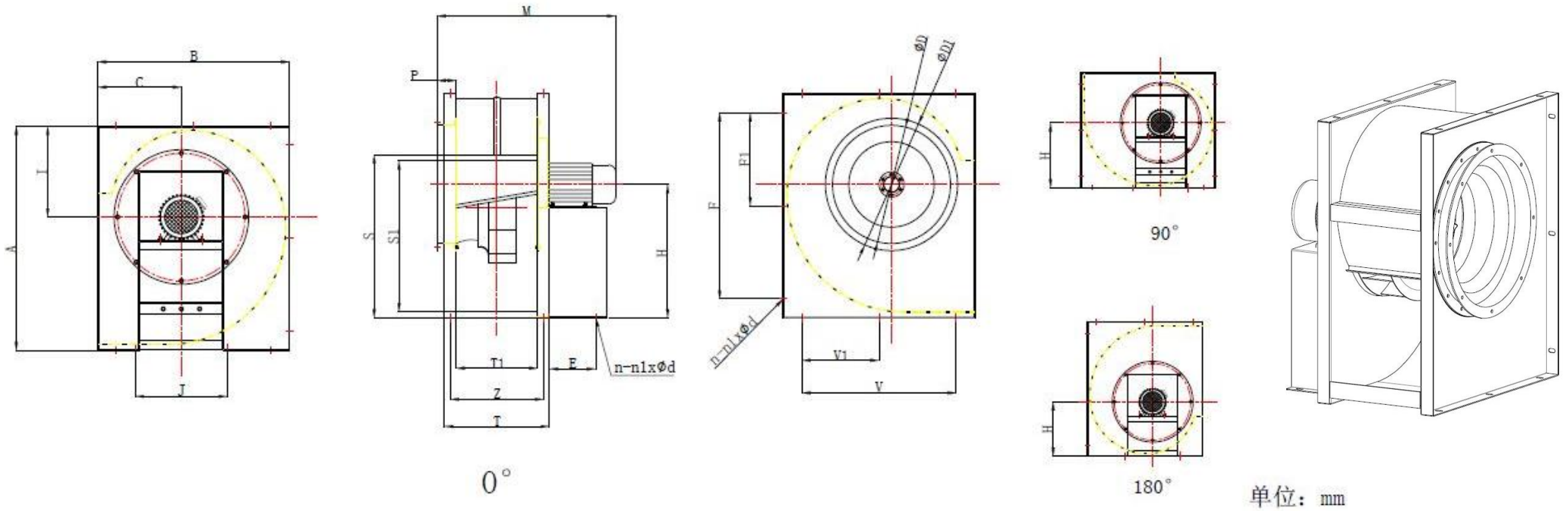
单位: mm

型号Model	外形尺寸Outside Dimension						中心高Central High		
	A	B	C	I	M	P	H		
							0°	90°	180°
CBA-BS-250BS-A-B-X	498	435	195	201	600	64	297	240	201
CBA-BS-280BS-A-B-X	549	481	215	221	690	64	329	266	221
CBA-BS-315BS-A-B-X	615	534	236	249	720	64	367	299	248
CBA-BS-355BS-A-B-X	686	592	261	277	765	65	409	331	277
CBA-BS-400BS-A-B-X	766	660	291	310	905	65	456	369	310
CBA-BS-450BS-A-B-X	859	737	323	348	900	65	511	414	348
CBA-BS-500BS-A-B-X	945	810	353	383	976	65	562	457	383
CBA-BS-560BS-A-B-X	1052	899	388	425	1145	65	627	511	425

CKS FangYuan Industry has the right to change the engineering data, design and dimension without prior notice

CBA Centrifugal Blower

CBA-BS-XXXBS-A-B Dimension (250-560)

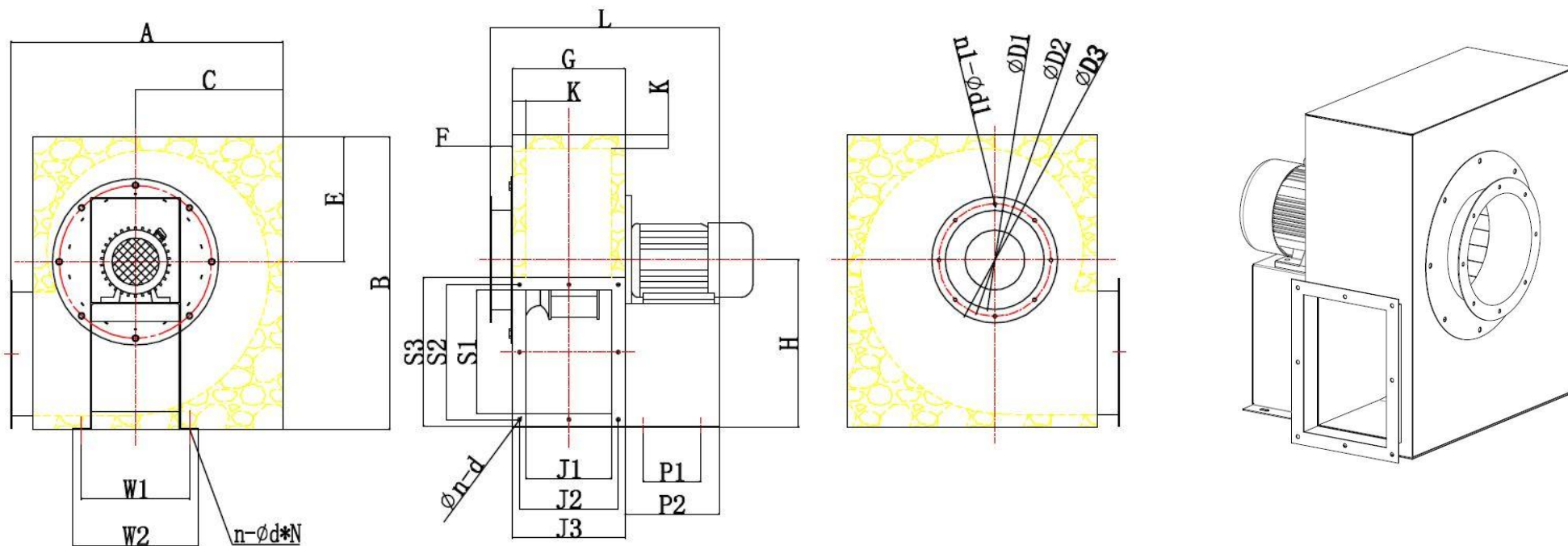


型号Model	安装尺寸Installation Dimension							出口风Outlet Dimension				进口风Inlet Dimension		安装孔Amount of Hole
	J	E	Z	V	V1	F	F1	S	S1	T	T1	ΦD	ΦD1	n-n1×Φd
CBA-BS-250BS-A-B-X	250	130	225	326	\	389	\	370	322	275	175	255	315	Φ13×20
CBA-BS-280BS-A-B-X	250	150	245	372	\	440	\	411	363	295	195	285	345	Φ13×20
CBA-BS-315BS-A-B-X	275	170	274	426	\	507	\	454	406	324	224	320	380	Φ13×20
CBA-BS-355BS-A-B-X	285	180	297	484	242	578	289	504	456	347	247	360	430	Φ13×20
CBA-BS-400BS-A-B-X	350	260	325	553	276.5	659	330	557	509	375	275	406	476	Φ13×20
CBA-BS-450BS-A-B-X	350	260	359	579	289.5	701	351	619	571	409	309	458	528	Φ13×20
CBA-BS-500BS-A-B-X	350	260	396	653	326.5	788	394	688	640	446	346	508	578	Φ13×20
CBA-BS-560BS-A-B-X	400	360	434	738	369	891	446	747	723	484	384	568	638	Φ13×20

CKS FangYuan Industry has the right to change the engineering data, design and dimension without prior notice

CBA Centrifugal Blower

CBA-K-XXXBS-A-H-X Dimension (280-560)

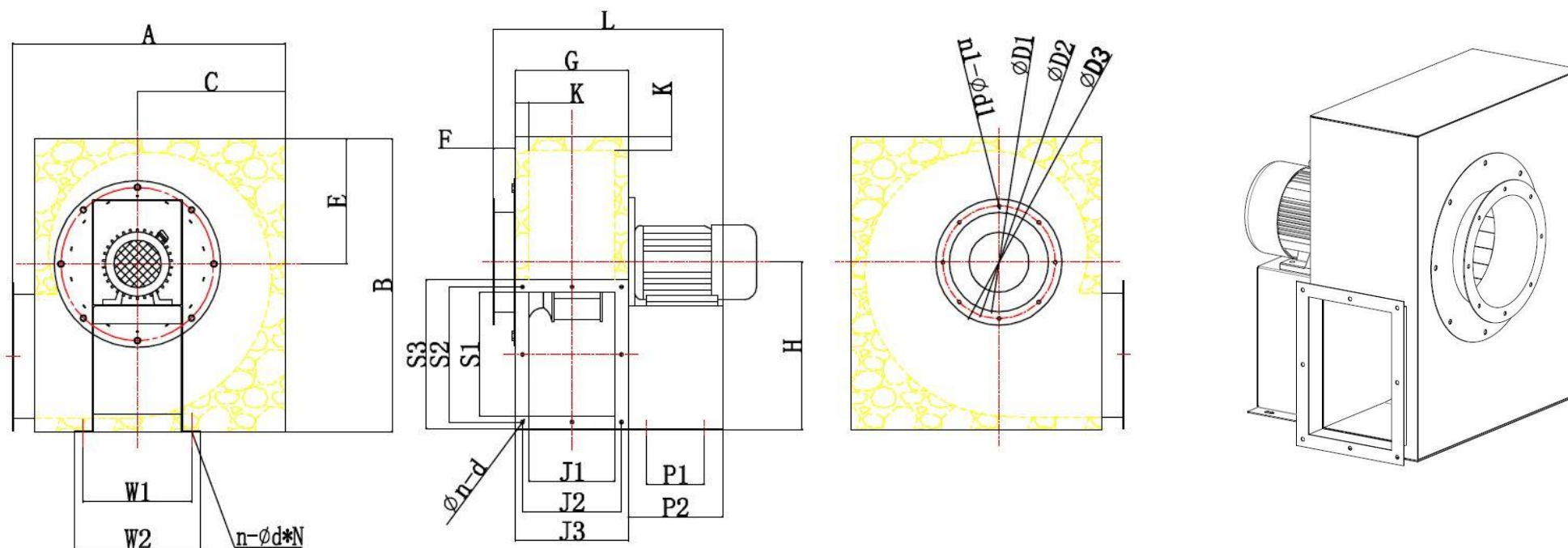


型号Model	外形尺寸Outside dimension												
	A	H	B	C	E	L	G	K	F	W1	W2	P1	P2
CBA-K-280BS-A-H-X	565	340(0°)\298(90°)\256(180°)	596	298	256	518	255	30	50	230	260	150	210
CBA-K-315BS-A-H-X	629	384(0°)\336(90°)\288(180°)	672	336	288	549	289	30	50	230	260	150	210
CBA-K-355BS-A-H-X	694	429(0°)\375(90°)\321(180°)	750	375	321	608	318	30	50	255	285	180	240
CBA-K-400BS-A-H-X	759	473(0°)\413(90°)\353(180°)	826	413	353	670	340	30	50	330	360	200	280
CBA-K-450BS-A-H-X	840	548(0°)\548(90°)\393(180°)	921	461	393	731	381	30	50	340	380	200	300
CBA-K-500BS-A-H-X	959	603(0°)\528(90°)\453(180°)	1056	528	453	857	454	50	60	400	450	240	340
CBA-K-560BS-A-H-X	998	650(0°)\454(90°)\460(180°)	1140	454	460	885	482	50	60	400	450	240	340

CKS FangYuan Industry has the right to change the engineering data, design and dimension without prior notice

CBA Centrifugal Blower

CBA-K-XXXBS-A-H-X Dimension (280-560)

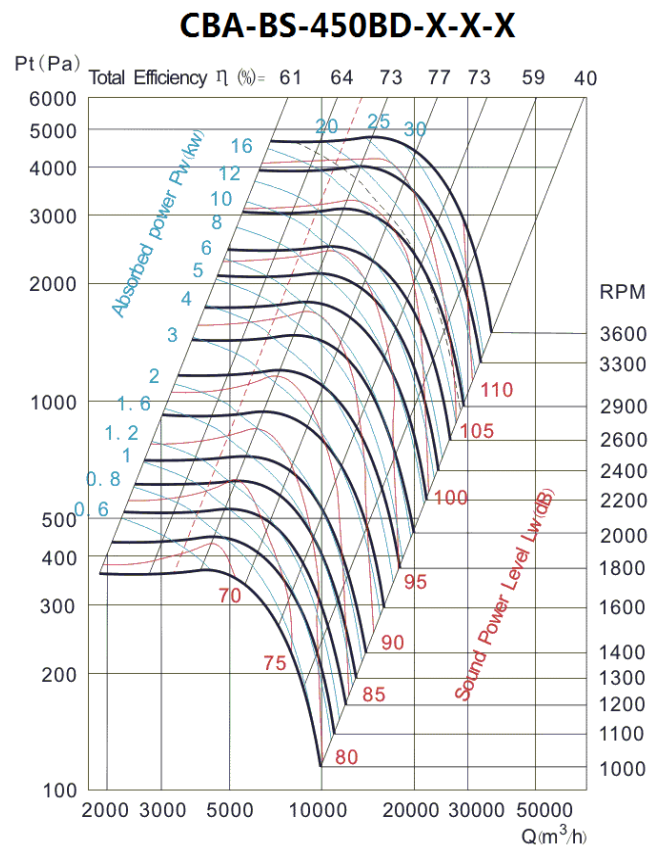
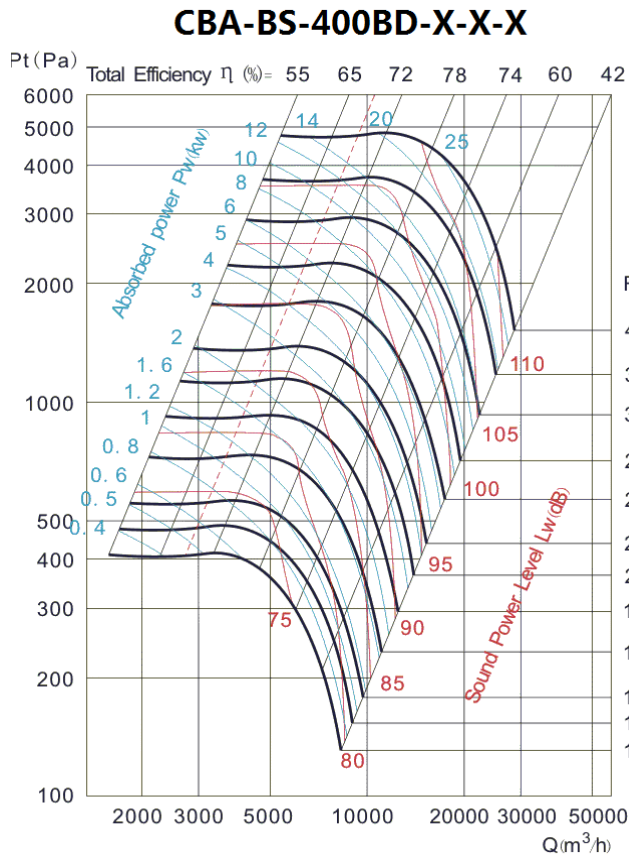
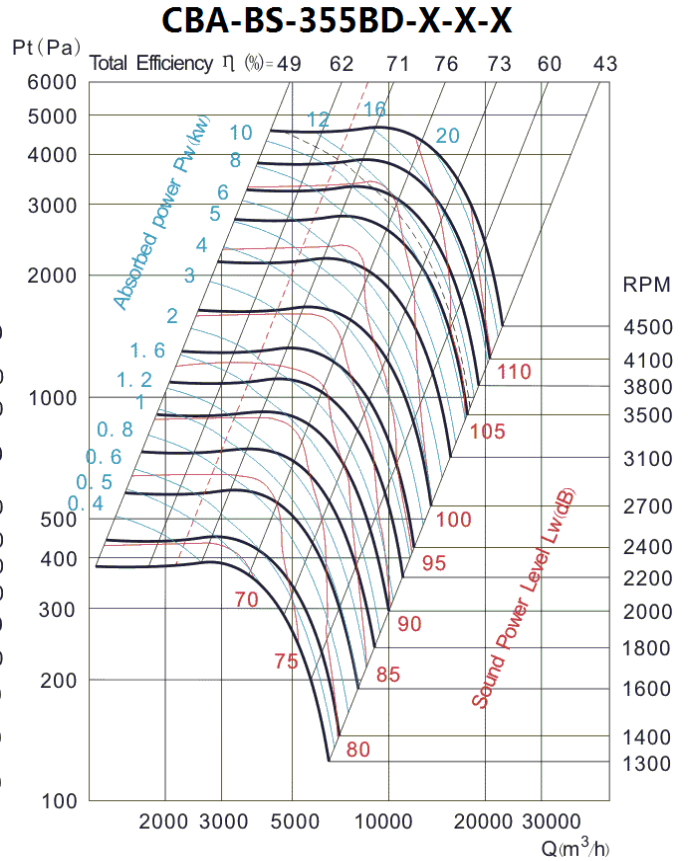
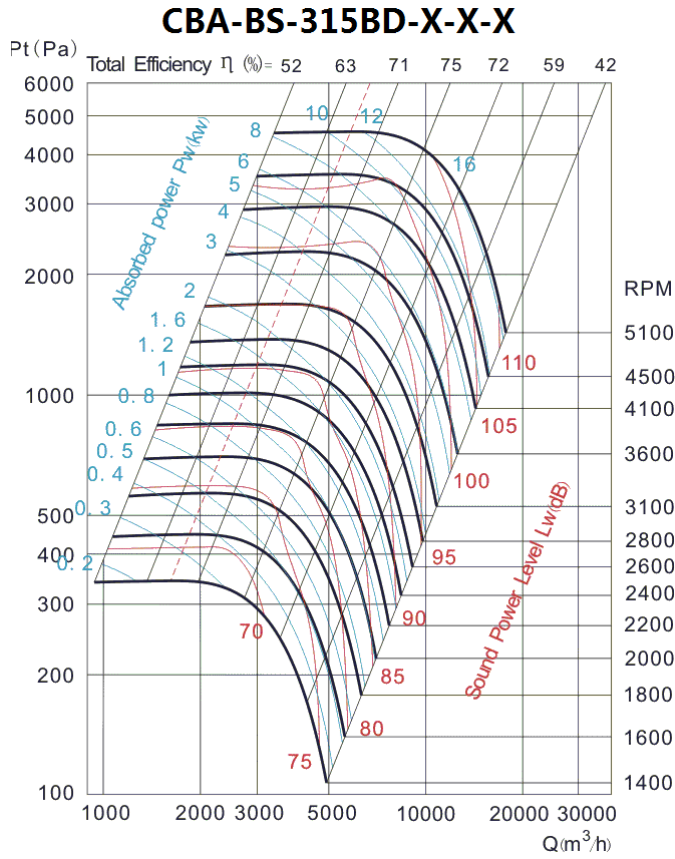


型号	入风口尺寸			出风口尺寸Outlet dimension						安装尺寸			电机
	ØD1	ØD2	ØD3	J1	J2	J3	S1	S2	S3	n-Ød	n1-Ød1	n-Ød*N	kw/p
CBA-K-280BS-A-H-X	280	310	340	195	225	255	224	254	284	8-Ø8	8-Ø8	4-Ø10x20	1.5kw/4
CBA-K-315BS-A-H-X	320	350	380	225	259	289	253	386	316	8-Ø8	8-Ø8	4-Ø10x20	3kw/4
CBA-K-355BS-A-H-X	360	390	420	258	288	318	288	318	348	8-Ø8	8-Ø8	4-Ø10x20	4kw/4
CBA-K-400BS-A-H-X	400	431	460	276	310	340	320	350	380	8-Ø8	8-Ø8	4-Ø12x25	7.5kw/4
CBA-K-450BS-A-H-X	450	480	510	315	351	381	360	396	420	12-Ø8	8-Ø8	4-Ø12x25	5.5kw/6
CBA-K-500BS-A-H-X	500	530	560	350	400	430	400	450	483	14-Ø8	8-Ø8	4-Ø12x25	7.5kw/6
CBA-K-560BS-A-H-X	560	590	620	380	432	462	440	490	523	14-Ø8	8-Ø8	4-Ø12x25	7.5kw/6

CKS FangYuan Industry has the right to change the engineering data, design and dimension without prior notice

CBA Centrifugal Blower

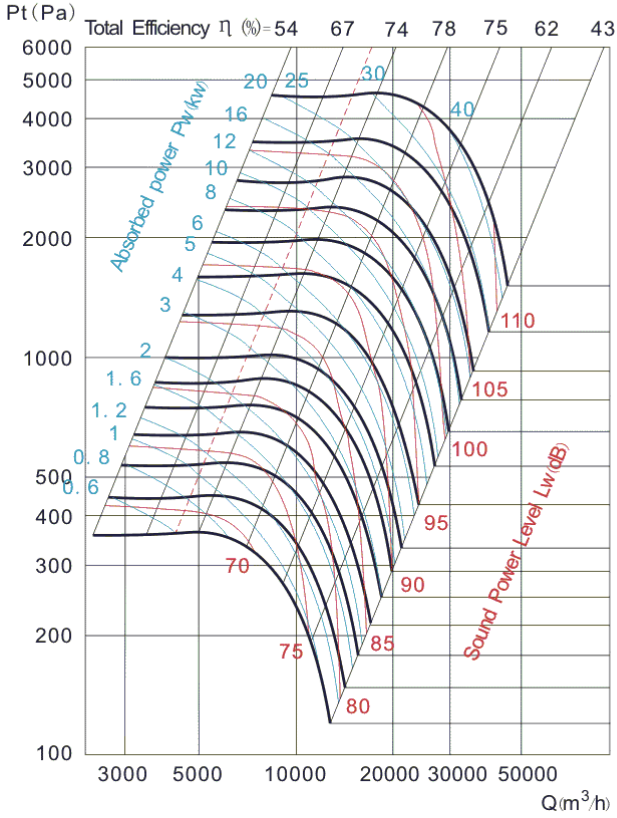
CBA-BS-XXXBD Engineering Data



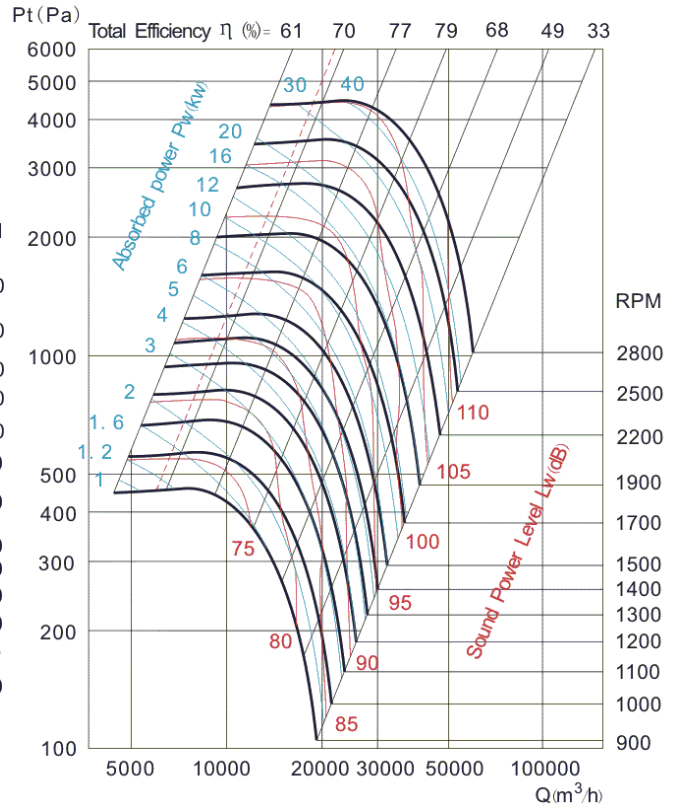
The stickum is not allowed in the fan gas, dust and hard particles contained no more than 150mg/m³

CBA Centrifugal Blower

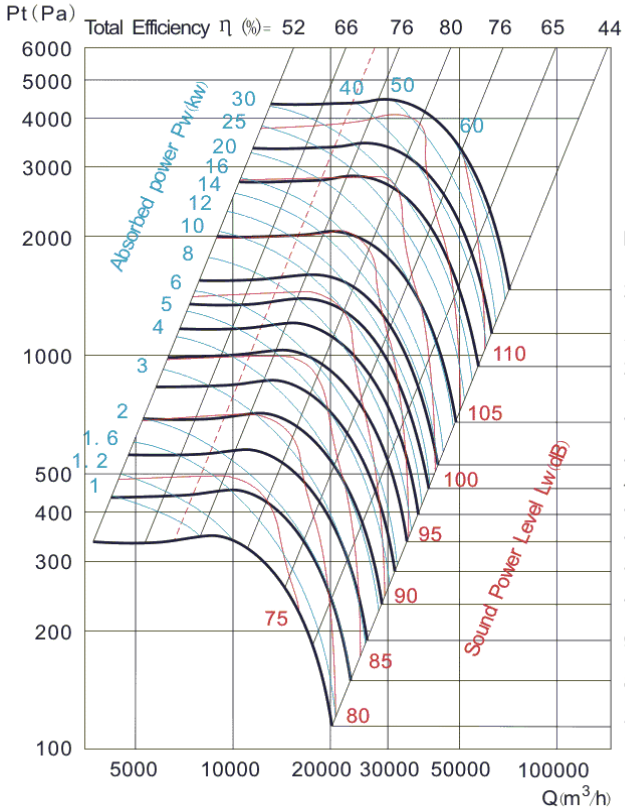
CBA-BS-500BD-X-X-X



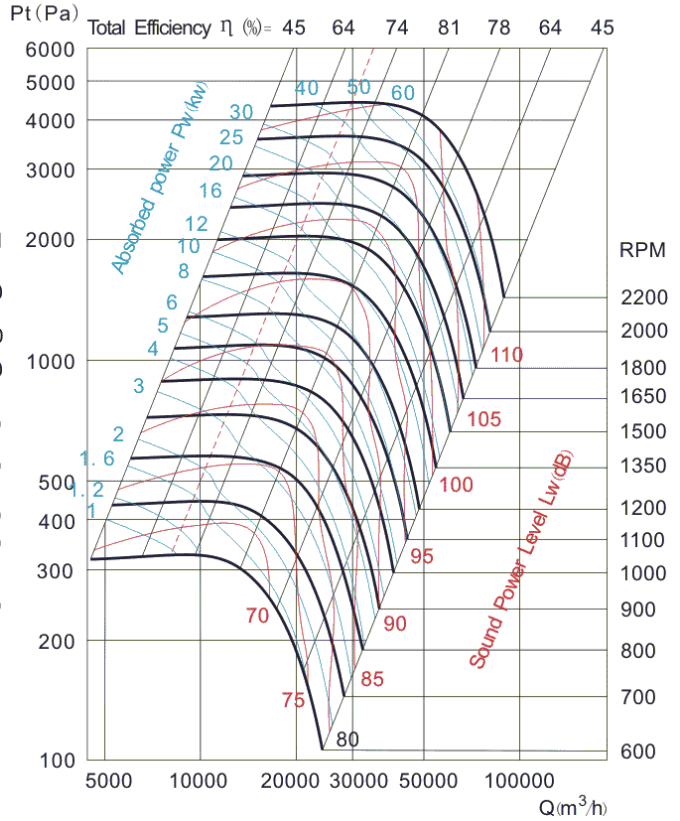
CBA-BS-560BS-X-X-X



CBA-BS-630BD-X-X-X



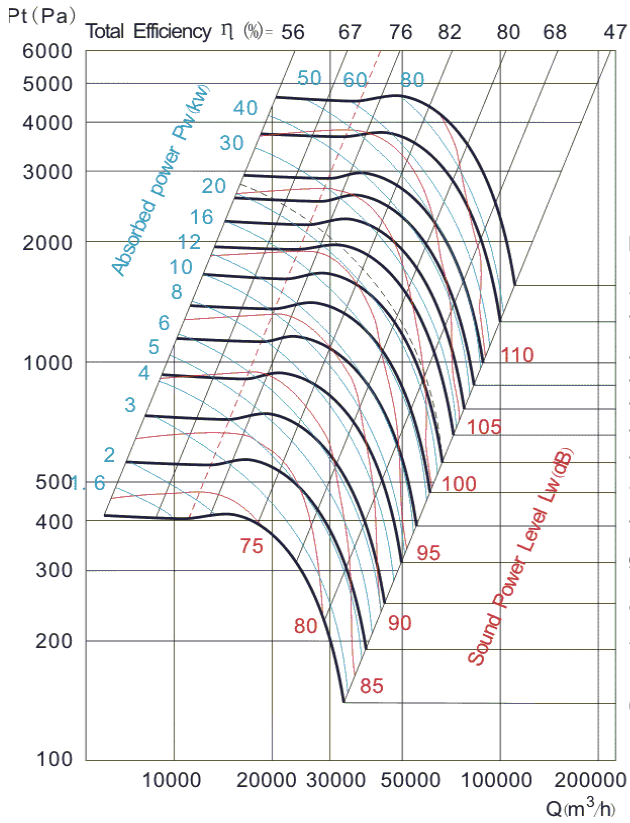
CBA-BS-710BD-X-X-X



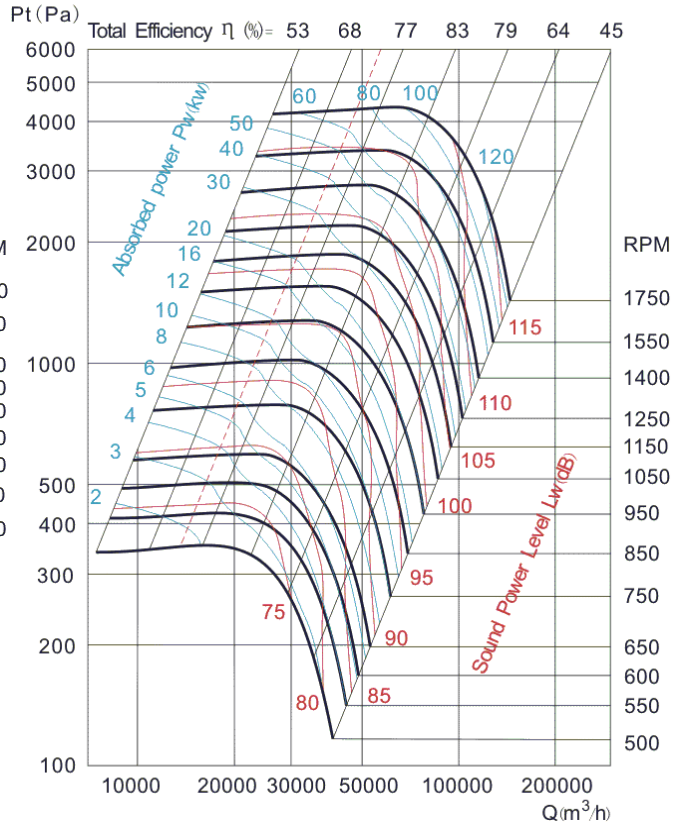
The stickum is not allowed in the fan gas, dust and hard particles contained no more than 150mg/m³

CBA Centrifugal Blower

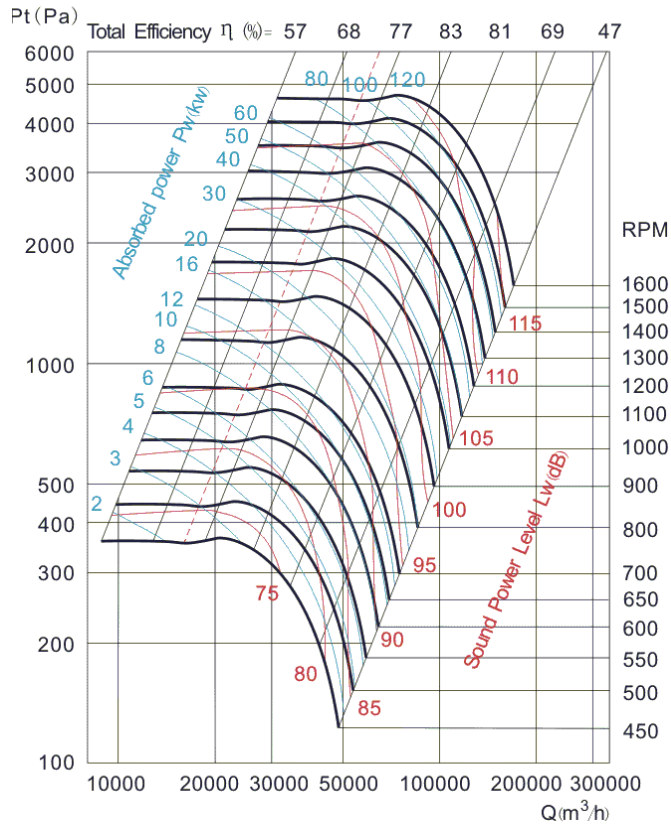
CBA-BS-800BD-X-X-X



CBA-BS-900BD-X-X-X



CBA-BS-1000BD-X-X-X



The stickum is not allowed in the fan gas, dust and hard particles contained no more than 150mg/m³

CBA Centrifugal Blower

CBA Notes

- Please check all the parts of the body in details and make sure whether there is damage inside or not. It is because the fan may be damaged during the transportation. If any, it should be repaired before it is installed.
- The motor and impeller should connect properly, and its protection level is IP54, insulation class is F.
- Please do check the fan and duct, and ensure that there are no obstructions to hinder the rotation. If any, it should be cleared before starting.
- Running in a given value and the fan should be rotated in a given direction.
- If any unexpected sound and strenuous vibration occurred, please switch off the blower and repair the breakdown before it is used.
- The fan cannot bear the weight of duct and it needs to provide an extra bearing frame to bearing.

General Questions

Did not rotate

- Wrong Voltage
- Power shut down or wrong wiring
- Overload protection
- Fuse burn-out.
- Loose of pulley.
- Failure of belt

Limited Air Volume

- Wrong rotate direction.
- The real air speed is lower than expected
- Static pressure is too much
- Restricted Inlet or Outlet
- Blocked Inlet or Outlet

Too much Air Volume

- The real air speed is higher than expected
- Static pressure is too less
- The blower is not installed in the right position

CBA Centrifugal Blower

Company Introduction

We are a China based business owned and operated by its management team. We specialize in air movement and have experience gained more than ten years of operation with worldwide predecessors. We service the ventilation equipment needs of customers ranging from HVAC through mining, manufacturing, construction, and agriculture. We adapt ISO9001 quality system to ensure our customers are using best products.

Capabilities and Services

1. Fan and Blower design and manufacture
2. Fully performance tested products and published data
3. In-house design engineering team
4. Scale and capacity to handle any size project
5. Servicing overseas markets with built products and OEM supply
6. Sales and after sales support teams

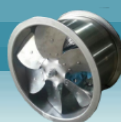
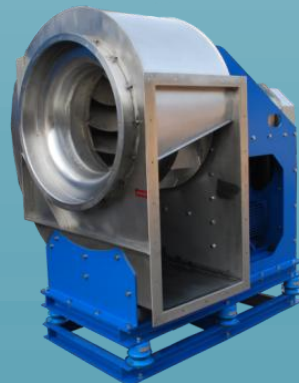
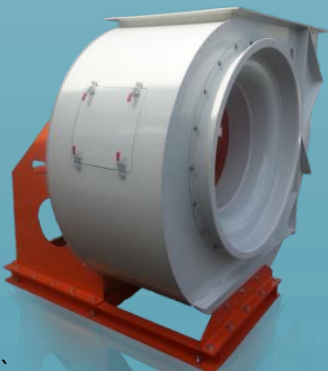
PROCUREMENT SERVICES FROM

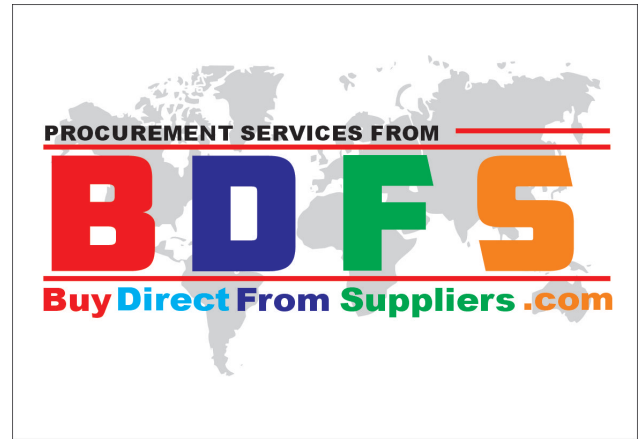
B D F S

BuyDirectFromSuppliers.com
Manufactured in Mexico-China-Brazil-USA-Bahrain

Brent Gilbertson Mobile: 678-361-5559
Managing Partner/Founder Brent@BuyDirectFromSuppliers.com

Certification:





CE



CHA Voluteless Blower

CHA Voluteless Blower

CHA Voluteless Blowers are designed to provide efficient and reliable operation for commercial and extractive industry. Our products are manufactured with state of the art laser, forming, spinning and welding equipment and ensure our quality control testing to ensure trouble free start-up. Our CHA Voluteless Blowers are including industry leading design features to ensure your ventilation equipment has the latest technologies available.

Main feature with CHA Voluteless Blower,,

- Full mold, full welded structure
- Corrosion resistant, electrostatically applied and baked powder coatings
- Drive configurations
- ISO9001:2000 controllable standard

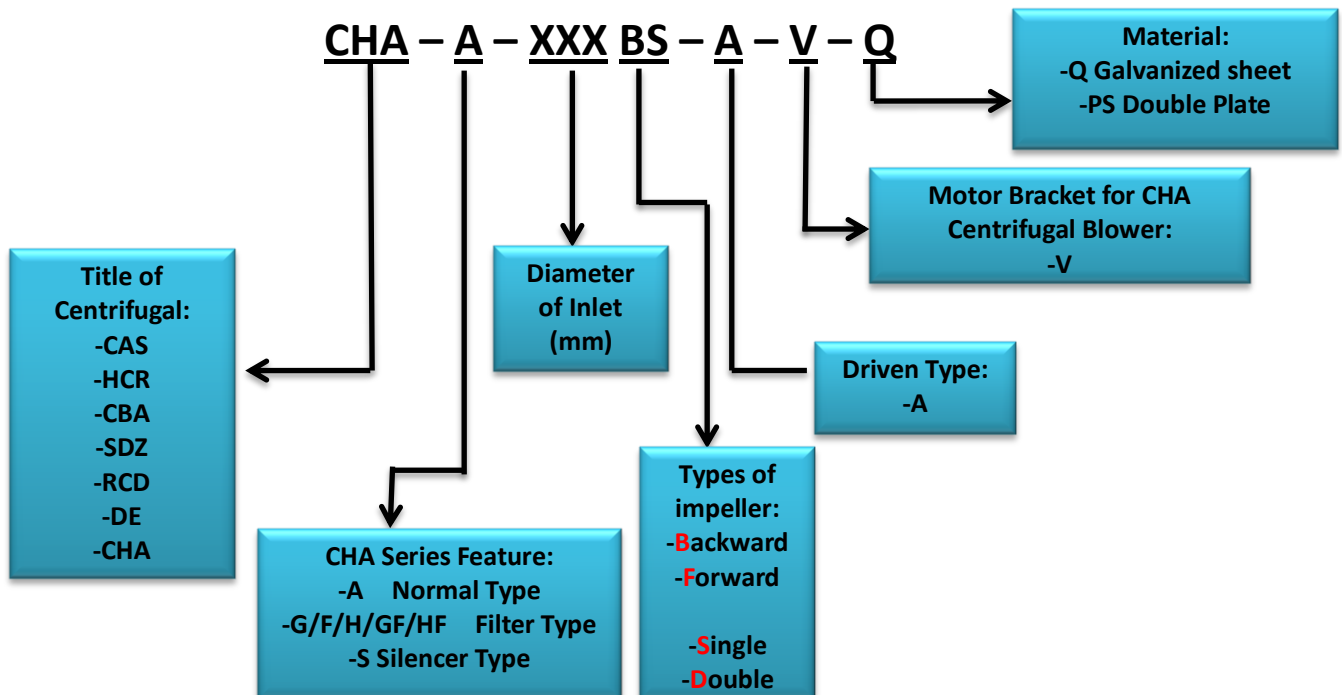


Every CHA has been test for three different planes before package. Typical applications include:

- Stairwell Pressurization
- Restaurant Grease Exhaust
- Explosive gases emissions
- Agricultural area

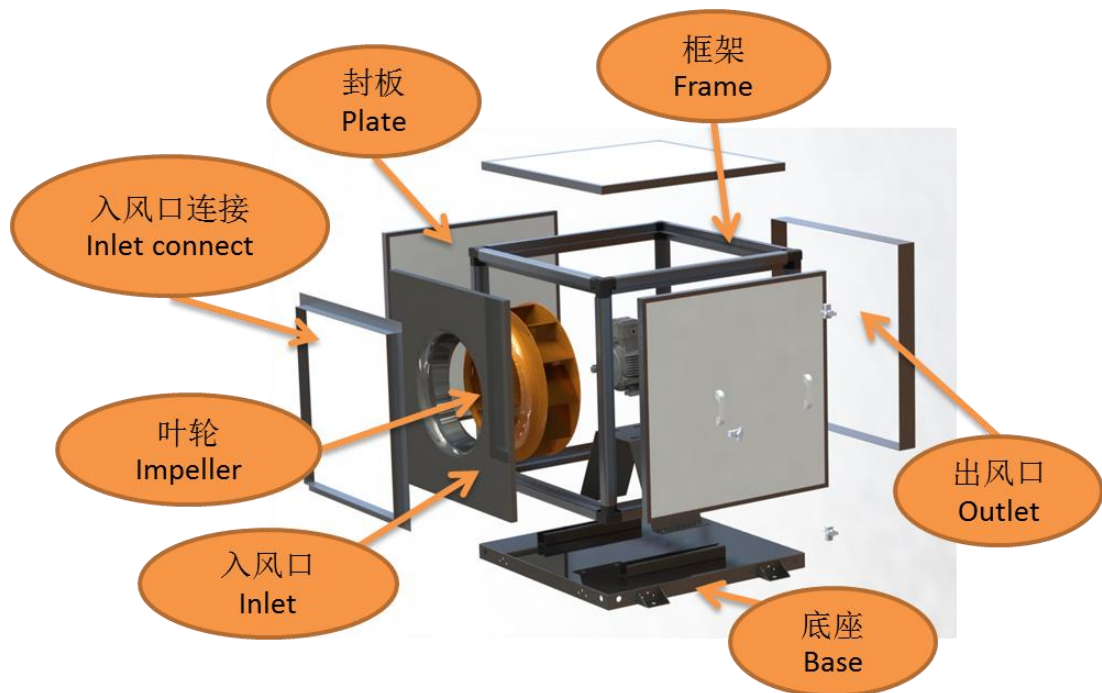
Engineers can assist you in improving the operational efficiency of the air movement in your system.

CHA Voluteless Blower Model Number Code:

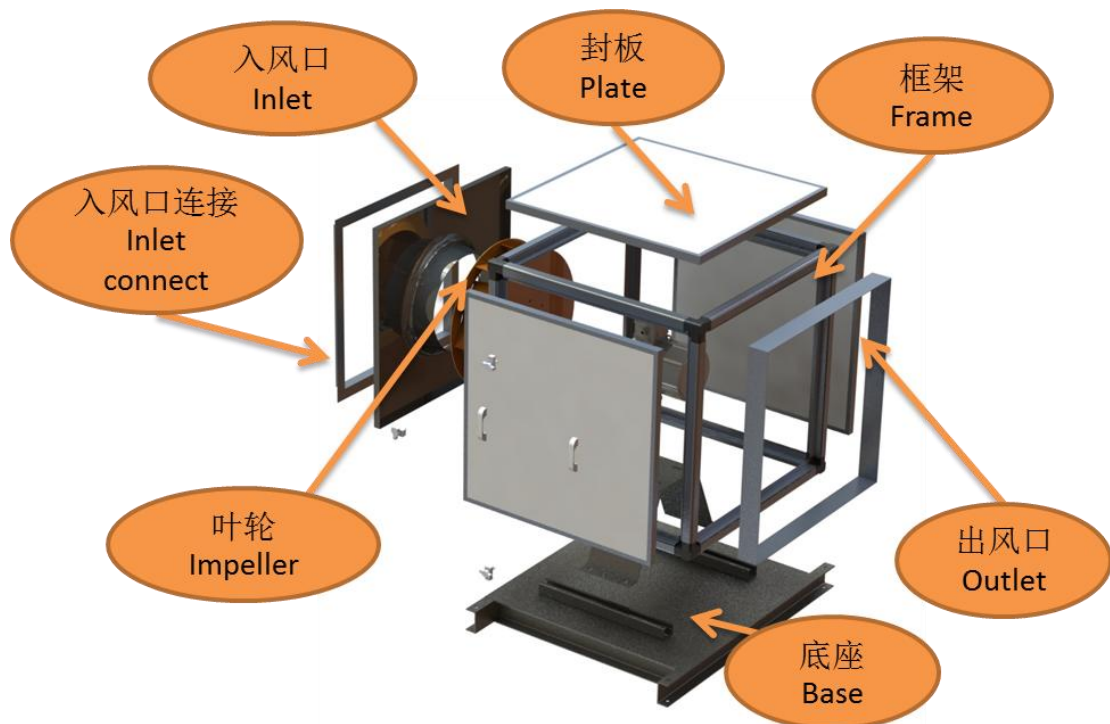


CHA Construction Details

CHA-A-630BS(250-630) Series: Direct drive, galvanized sheet and plastic are available for side plate. The inlet is integrated design and the base is manufactured by using plate bending.

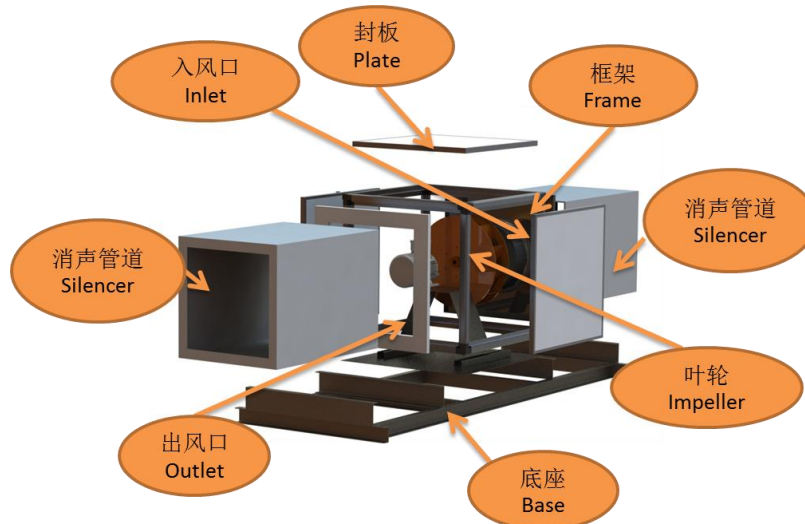


CHA-A-710BS (710-1000) Series: Direct drive, galvanized sheet and plastic are available for side plate. The inlet is integrated design and the base is manufactured by using steel channel

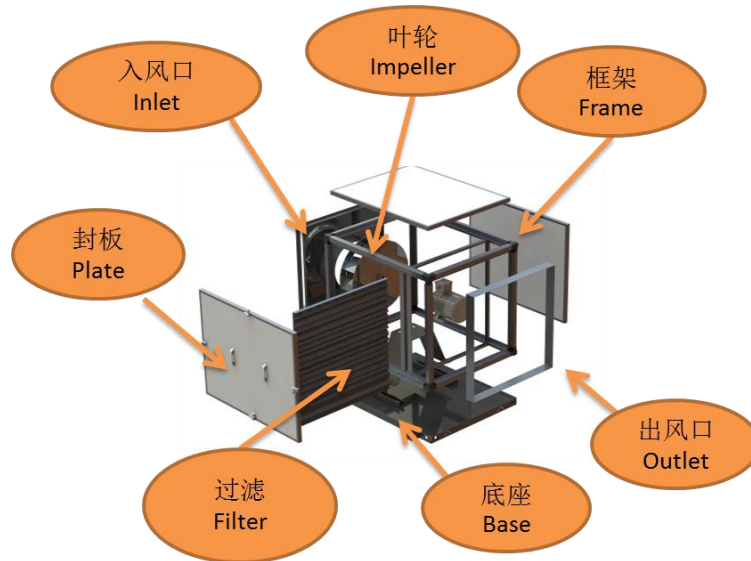


CHA Voluteless Blower

CHA-S-XXXBS Series: Direct drive, galvanized sheet and plastic are available for side plate. The inlet is integrated design and the base is manufactured by using steel channel. Below shows the nonstandard type silencer and the standard type is circular.



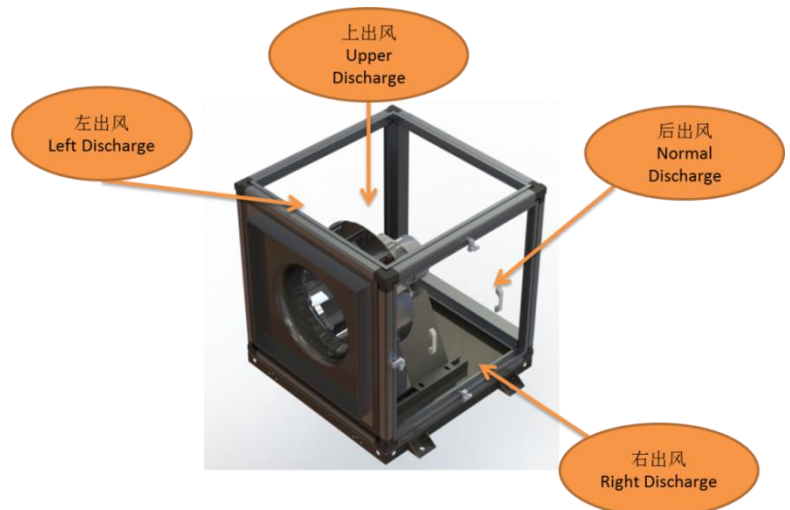
CHA-G/F/H/GF/FH-XXXBS Series: Direct drive, galvanized sheet and plastic are available for side plate. The inlet is integrated design and the base is manufactured by using steel channel. G means Primary Filter; F means Mid-efficiency filter; H means High efficiency filter; GF means Pre-medium efficiency filter; FH means upper-medium efficiency filter.



Discharge Standard

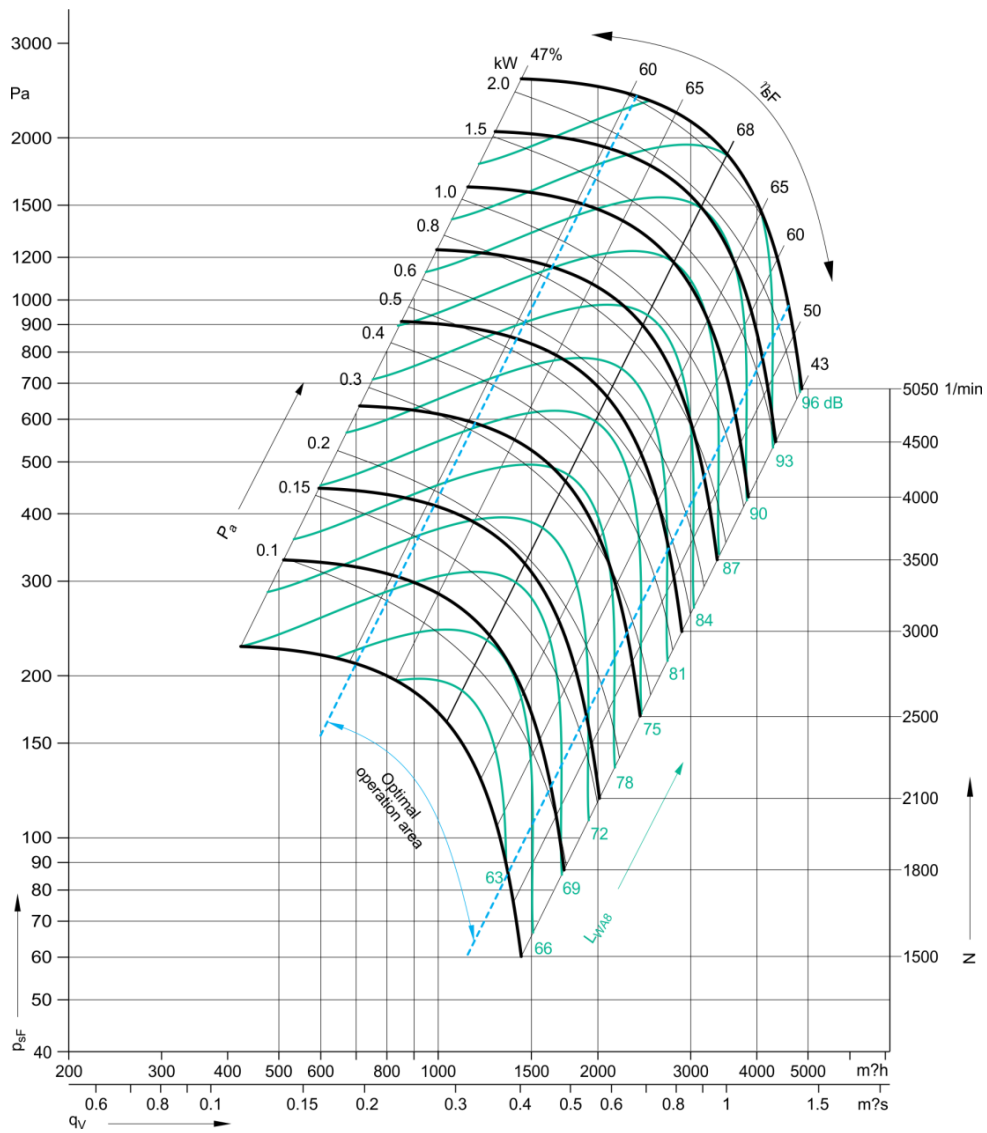
Clockwise or counterclockwise

Non-standard outlet design also can be made



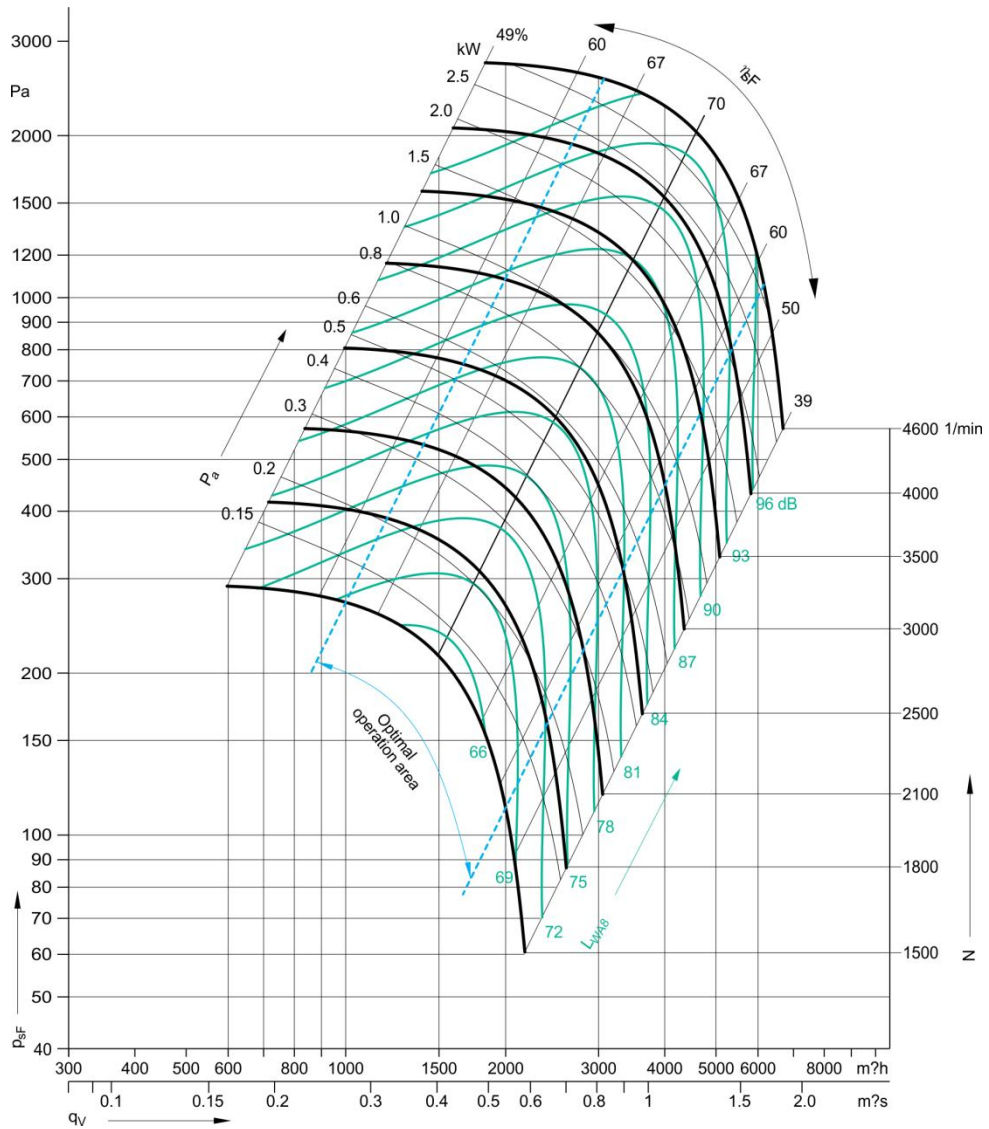
CHA Voluteless Blower

CHA Technical Data (CMH with Static Pressure)



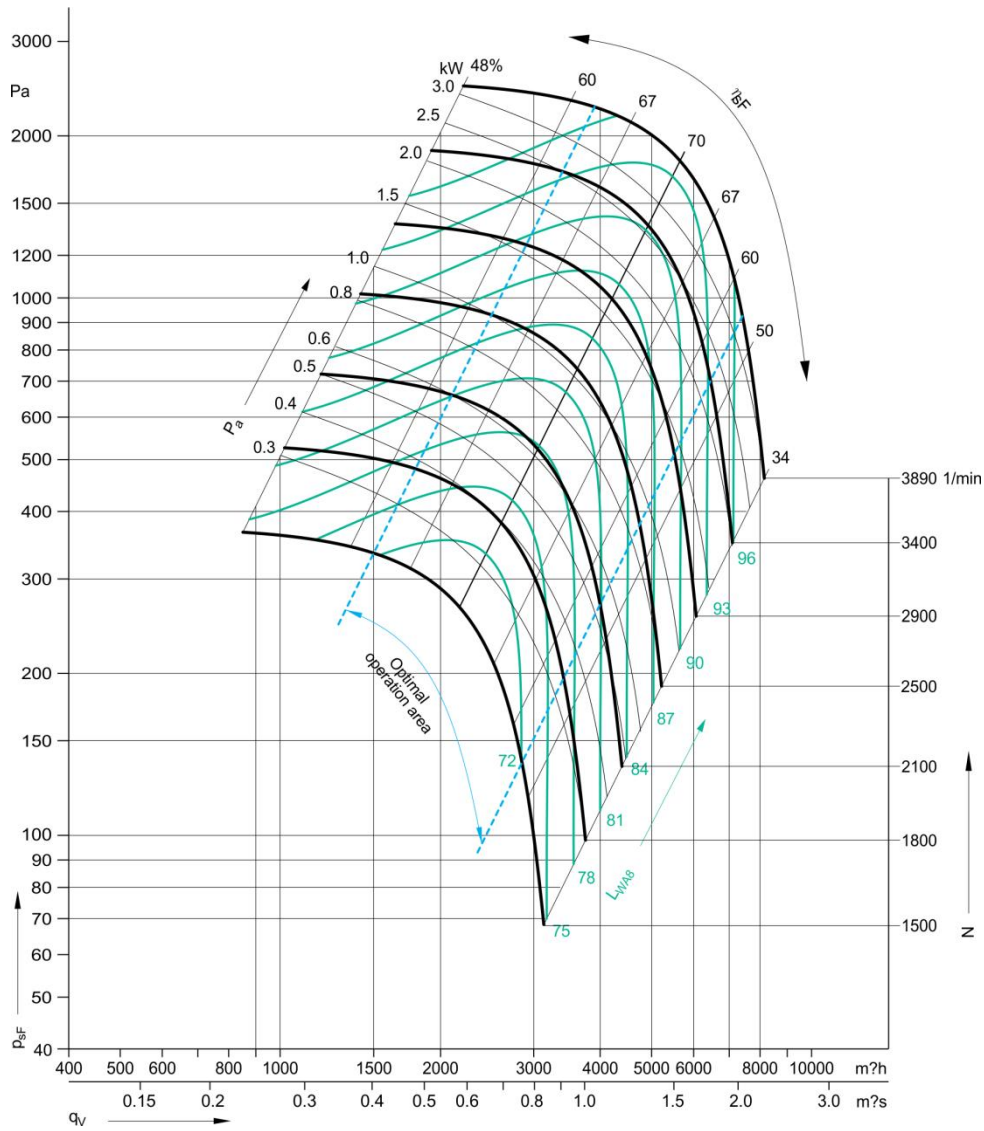
型号Model	转速RPM	功率Power	风量Volume	静压S.P	全压T.P
CHA-X-280BS	2900	0.75kw	913	900	904
			1100	897	902
			1650	850	862
			2200	680	701
			2750	500	533
			3190	250	295
			3300	100	148
	1450	0.18kw	457	225	226
			550	224	226
			825	213	216
			1100	170	175
			1375	125	133
			1595	63	74
			1650	25	37

CHA Voluteless Blower



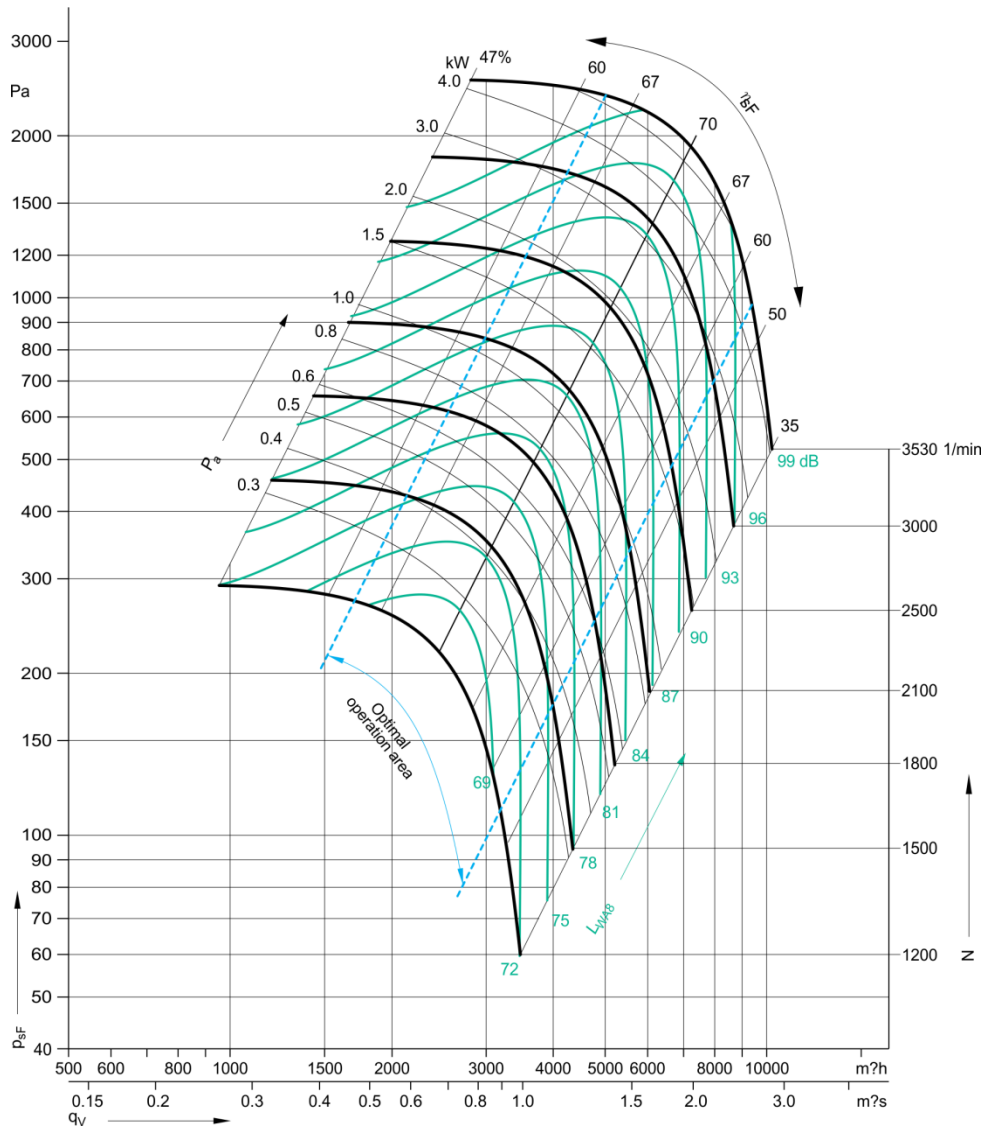
型号Model	转速RPM	功率Power	风量Volume	静压S.P	全压T.P
CHA-X-315BS	2900	1.1kw	1375	1150	1153
			1650	1125	1130
			2750	1010	1024
			3300	850	870
			3850	675	702
			4400	350	385
			4730	60	100
	1450	0.25kw	688	288	288
			825	281	282
			1375	253	256
			1650	213	217
			1925	169	175
			2200	88	96
			2365	15	25

CHA Voluteless Blower



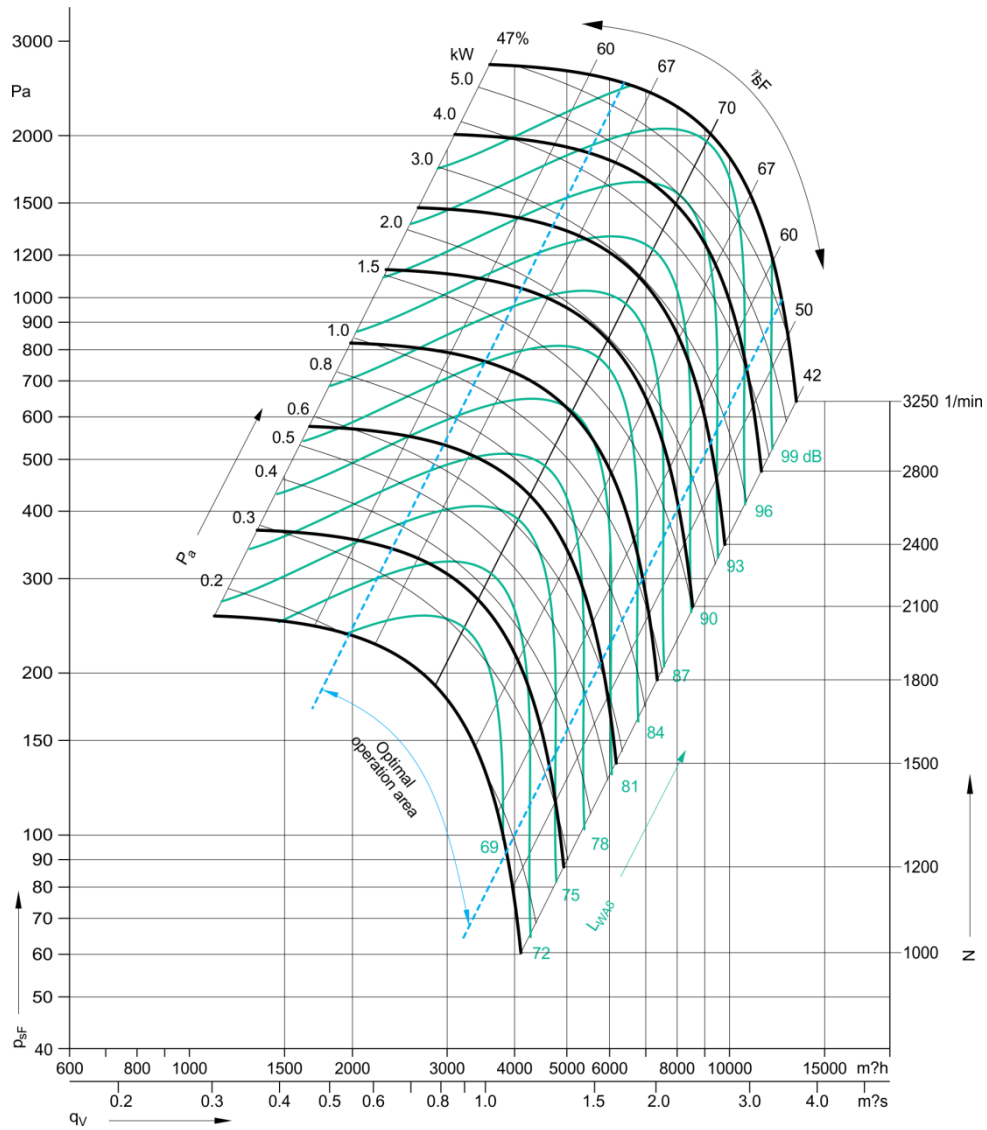
型号Model	转速RPM	功率Power	风量Volume	静压S. P	全压T. P
CHA-X-355BS	2900	2.2kw	1650	1380	1383
			2000	1300	1304
			3000	1220	1229
			4000	1110	1127
			5000	700	726
			6000	300	337
			6100	90	128
	1450	0.37kw	825	345	346
			1000	325	326
			1500	305	307
			2000	278	282
			2500	175	181
			3000	75	84
			3050	23	32

CHA Voluteless Blower



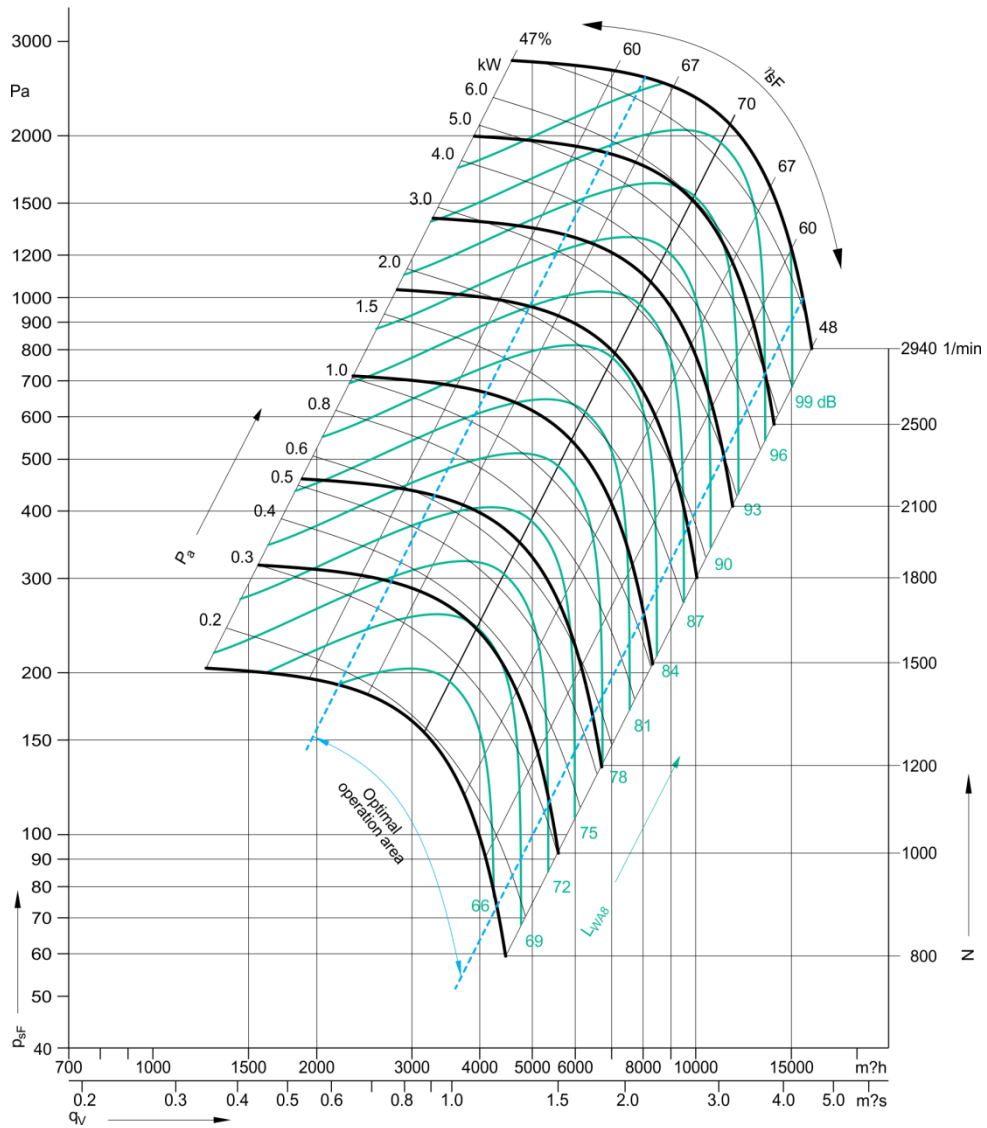
型号Model	转速RPM	功率Power	风量Volume	静压S.P	全压T.P
CHA-X-400BS	2900	4kw	2530	1800	1804
			3300	1740	1746
			5500	1630	1648
			6600	1400	1426
			7700	1100	1135
			8800	800	845
			9900	220	278
	1450	0.55kw	1265	450	451
			1650	435	437
			2750	408	412
			3300	350	356
			3850	275	284
			4400	200	211
			4950	55	69

CHA Voluteless Blower



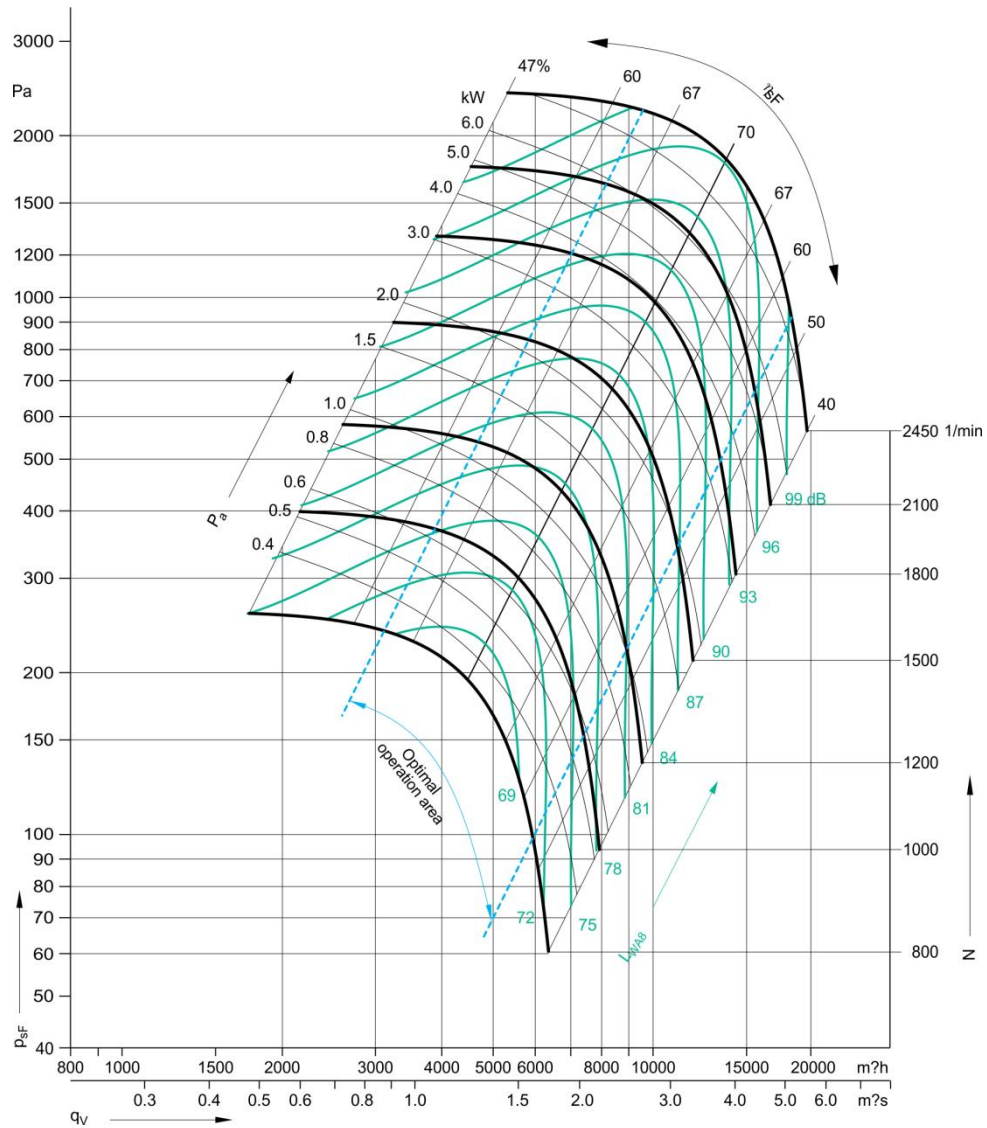
型号Model	转速RPM	功率Power	风量Volume	静压S. P	全压T. P
CHA-X-450BS	1450	1.1kw	1760	580	581
			2200	571	573
			3300	550	553
			4400	450	456
			5500	350	359
			6600	160	174
			6820	90	105
	960	0.55kw	1165	254	255
			1456	250	251
			2185	241	243
			2913	197	200
			3641	153	158
			4369	70	76
			4515	39	46

CHA Voluteless Blower



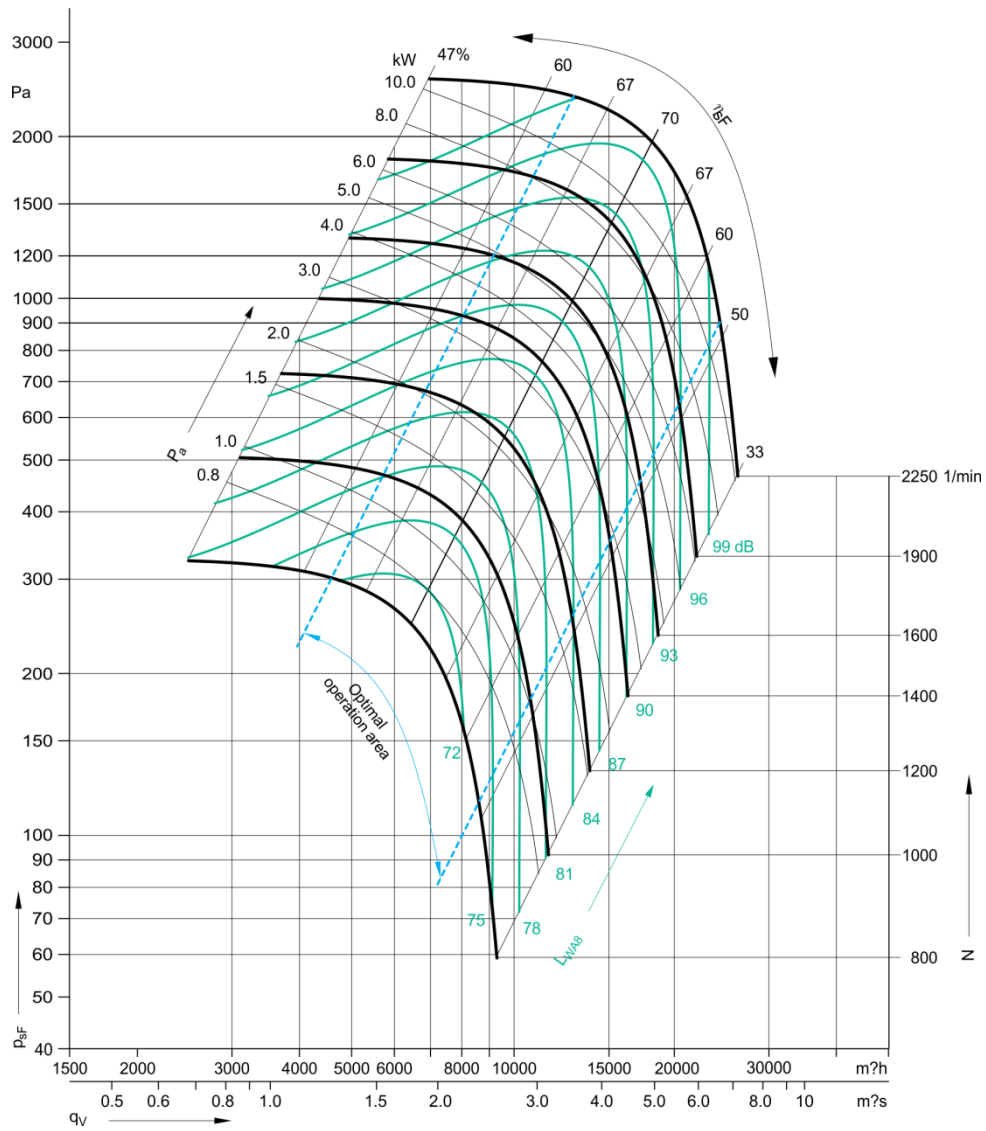
型号Model	转速RPM	功率Power	风量Volume	静压S.P	全压T.P
CHA-X-500BS	1450	1.5kw	2943	710	711
			3531	700	702
			4708	680	684
			5885	620	626
			7062	530	539
			8239	400	412
			9769	100	116
	960	0.75kw	1948	311	312
			2338	307	308
			3117	298	300
			3896	272	274
			4675	232	236
			5454	175	180
			6467	44	51

CHA Voluteless Blower



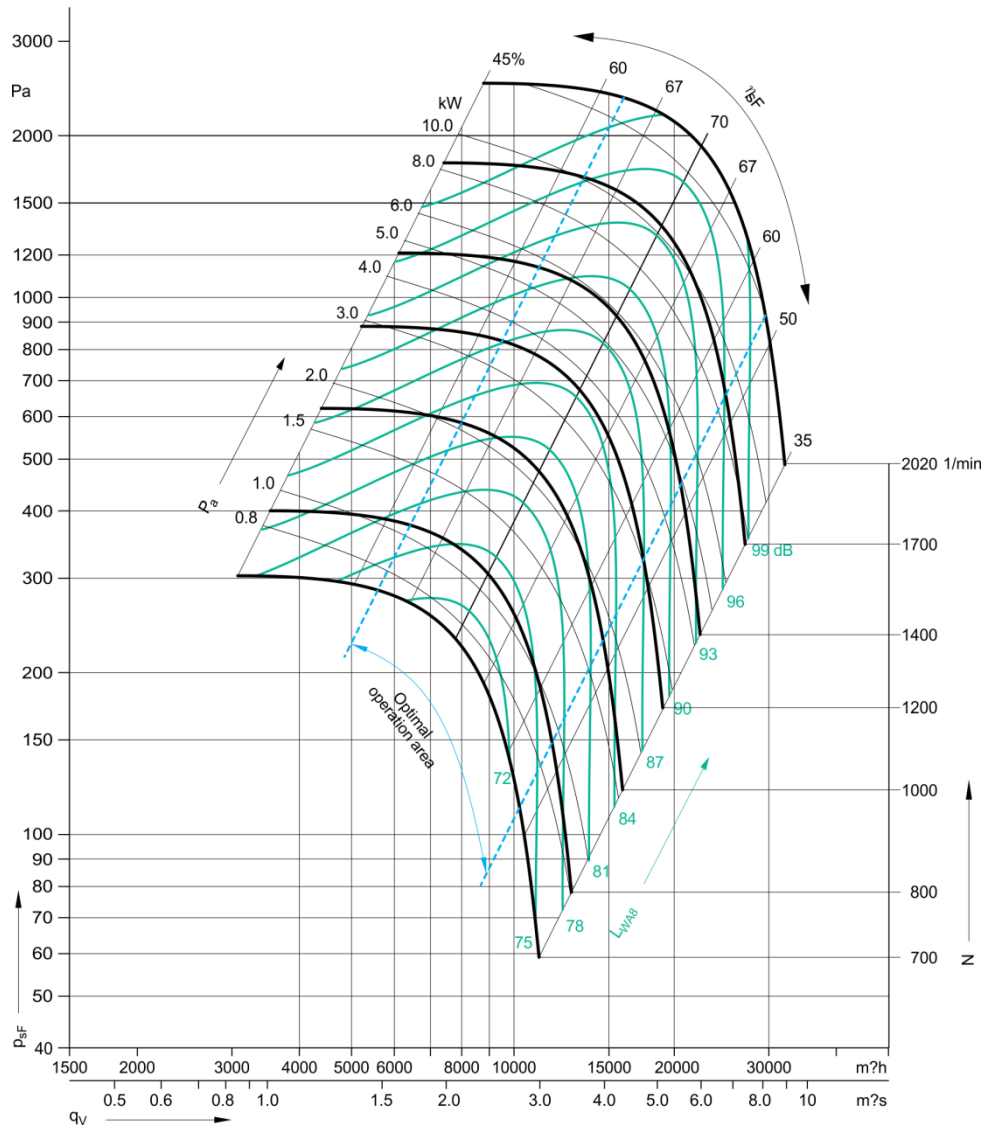
型号Model	转速RPM	功率Power	风量Volume	静压S. P	全压T. P
CHA-X-560BS	1450	3kw	3520	900	901
			5500	870	873
			6600	830	834
			8800	710	718
			9900	610	620
			11000	520	532
	960	1.1kw	13750	230	249
			2330	394	395
			3641	381	383
			4369	364	366
			5826	311	315
			6554	267	272
			7282	228	233
			9103	101	109

CHA Voluteless Blower



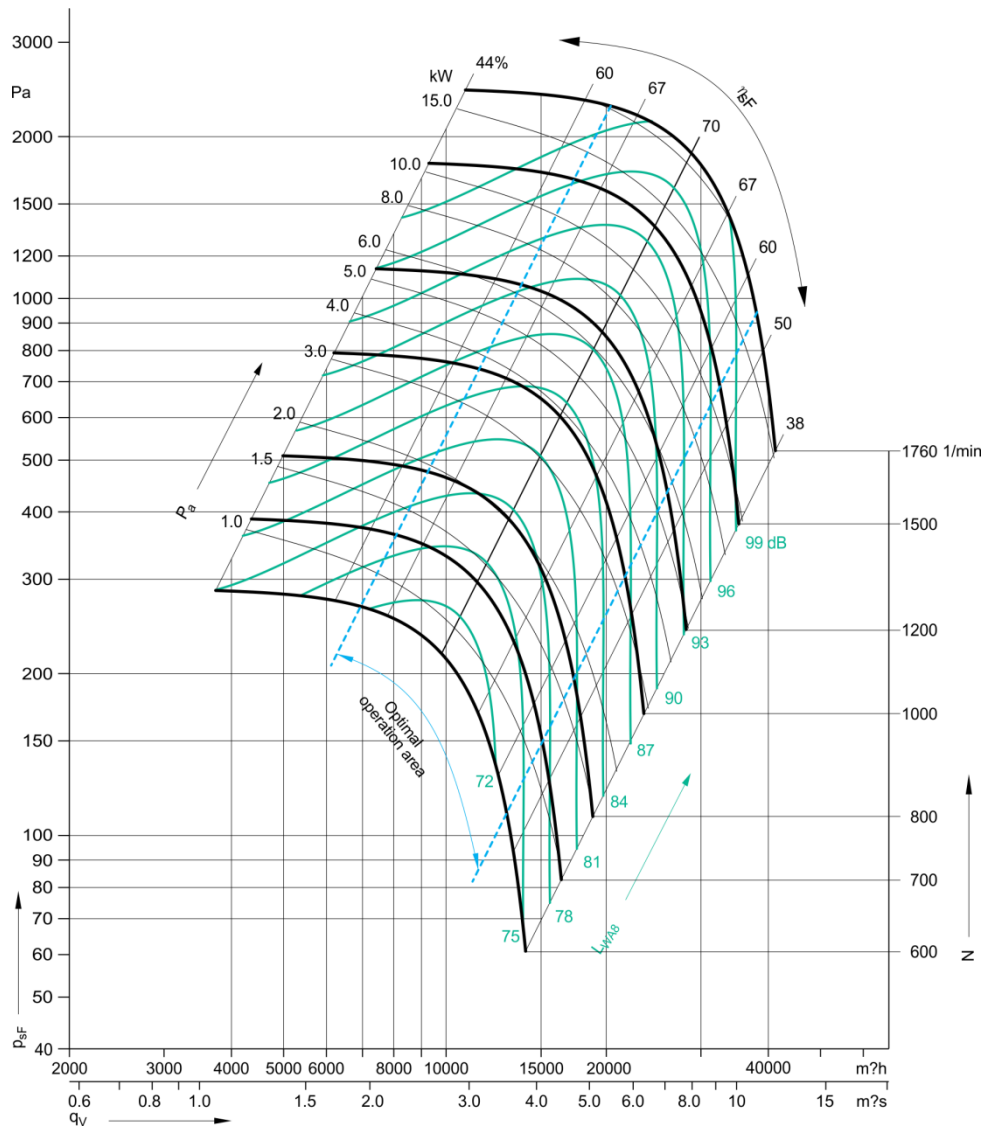
型号Model	转速RPM	功率Power	风量Volume	静压S. P	全压T. P
CHA-X-630BS	1450	5.5kw	5850	1200	1202
			8190	1080	1084
			10530	1010	1017
			12870	900	911
			15210	700	715
			17550	600	620
			19890	230	256
	960	1.5kw	3873	526	527
			5422	473	475
			6971	443	446
			8520	394	399
			10069	307	313
			11618	263	272
			13167	101	112

CHA Voluteless Blower



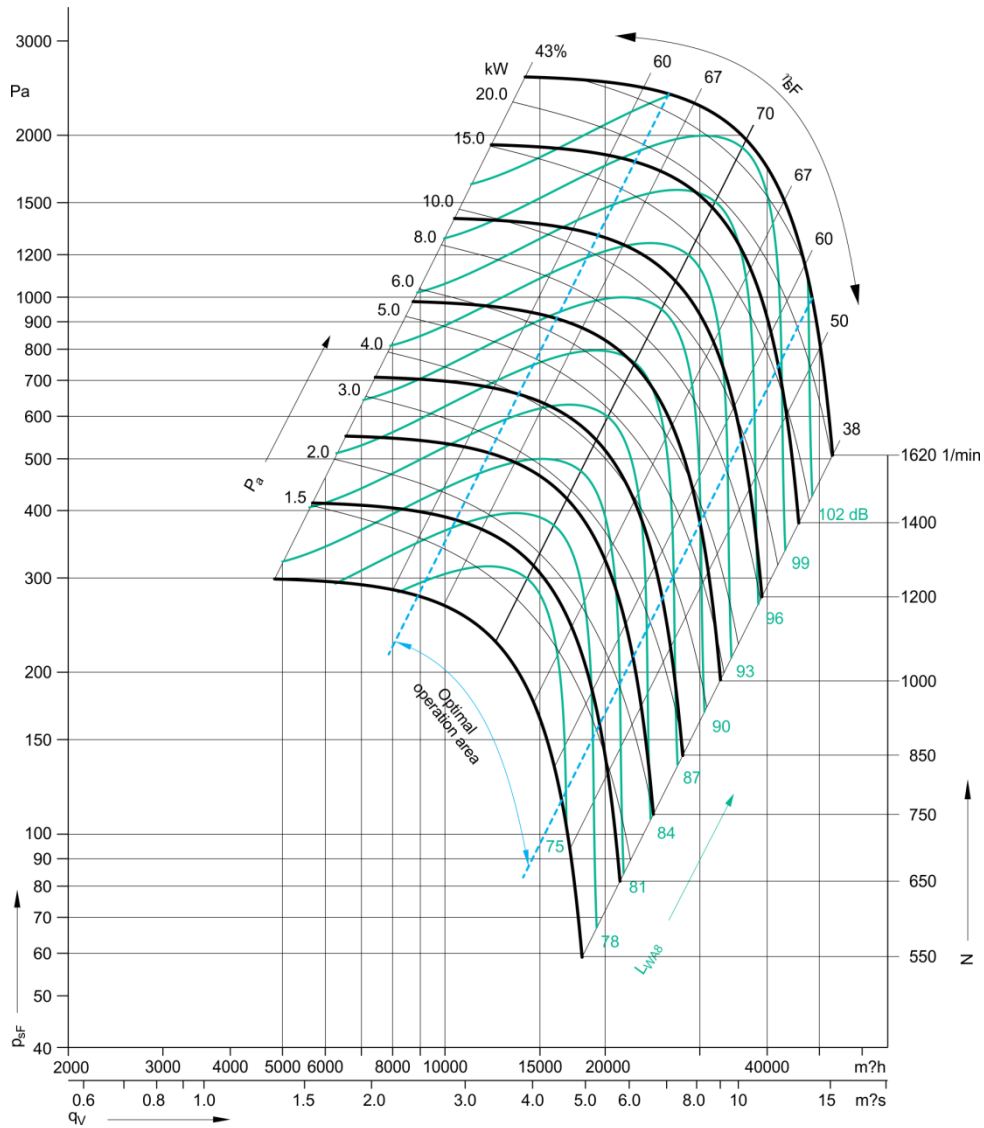
型号Model	转速RPM	功率Power	风量Volume	静压S.P	全压T.P
CHA-X-710BS	1450	7.5kw	7700	1300	1303
			9900	1265	1269
			16500	1100	1112
			17600	930	943
			19800	720	737
			23100	500	523
			27500	300	332
	960	3kw	5097	570	571
			6554	554	556
			10923	482	487
			11651	408	413
			13108	316	323
			15292	219	229
			18205	131	146

CHA Voluteless Blower



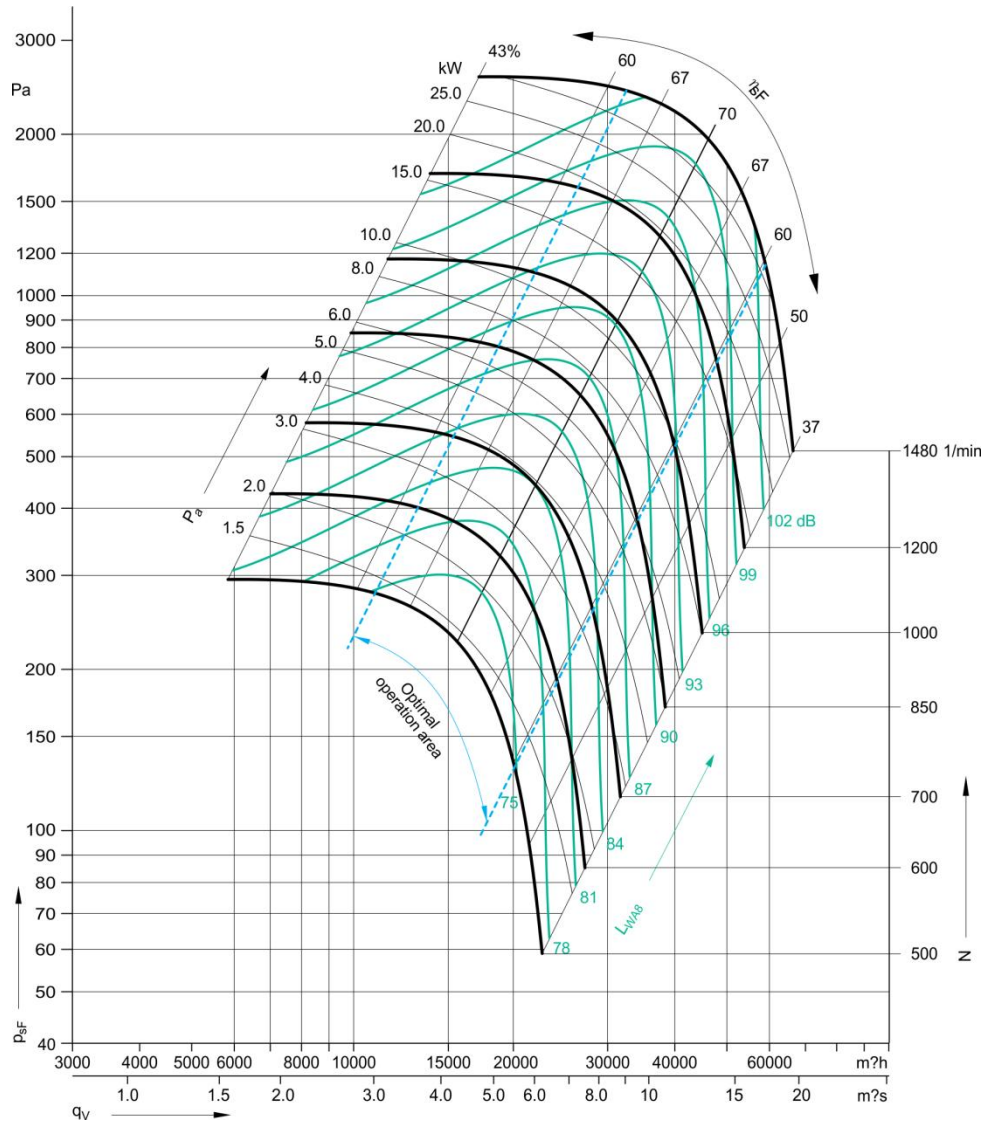
型号Model	转速RPM	功率Power	风量Volume	静压S. P	全压T. P
CHA-X-800BS	960	5.5kw	6820	800	801
			8800	771	773
			11000	760	764
			14520	700	706
			19250	560	571
			22000	400	414
			27500	175	197
	720	2.2kw	5115	450	451
			6600	434	435
			8250	428	430
			10890	394	397
			14438	315	321
			16500	225	233
			20625	98	111

CHA Voluteless Blower



型号Model	转速RPM	功率Power	风量Volume	静压S. P	全压T. P
CHA-X-900BS	960	7.5kw	9416	1000	1002
			10700	980	982
			16050	950	955
			21400	820	830
			26750	720	735
			32100	350	372
	720	4kw	35310	50	76
			7062	563	564
			8025	551	553
			12038	534	537
			16050	461	467
			20063	405	413
			24075	197	209
			26483	28	43

CHA Voluteless Blower

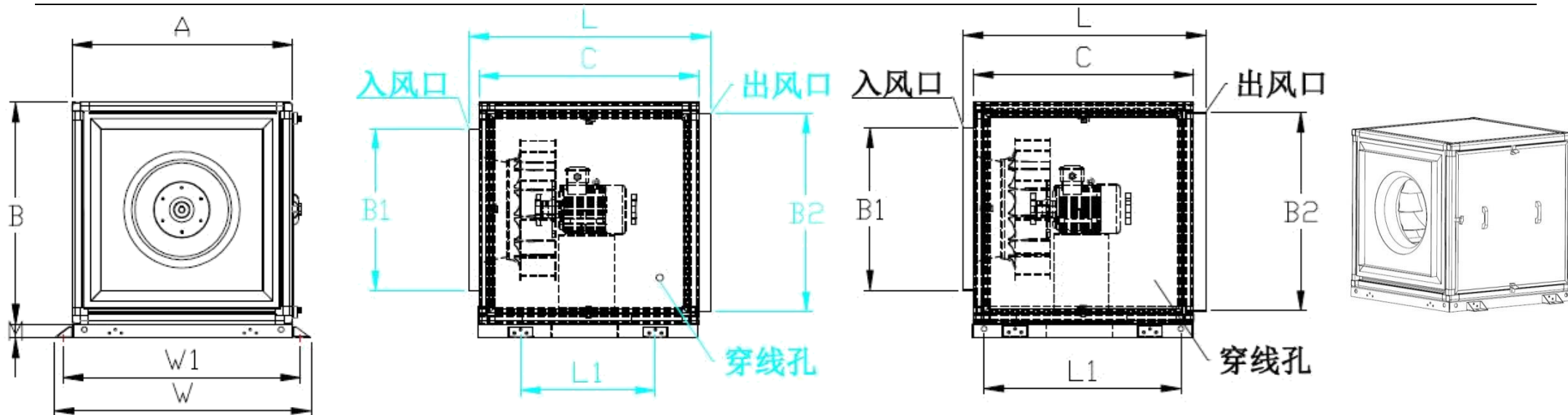


型号Model	转速RPM	功率Power	风量Volume	静压S. P	全压T. P
CHA-X-1000BS	960	15kw	12100	1189	1191
			16500	1165	1169
			22000	1161	1168
			27500	1150	1162
			33000	910	927
			44000	550	580
			50600	100	139
	720	7.5kw	9075	669	670
			12375	655	658
			16500	653	657
			20625	647	653
			24750	512	521
			33000	309	326
			37950	56	78

We have the right to change the engineering data, design and dimension without prior notice

CHA Voluteless Blower

CHA-A-XXXBS-A-V-X Dimension (250-710)

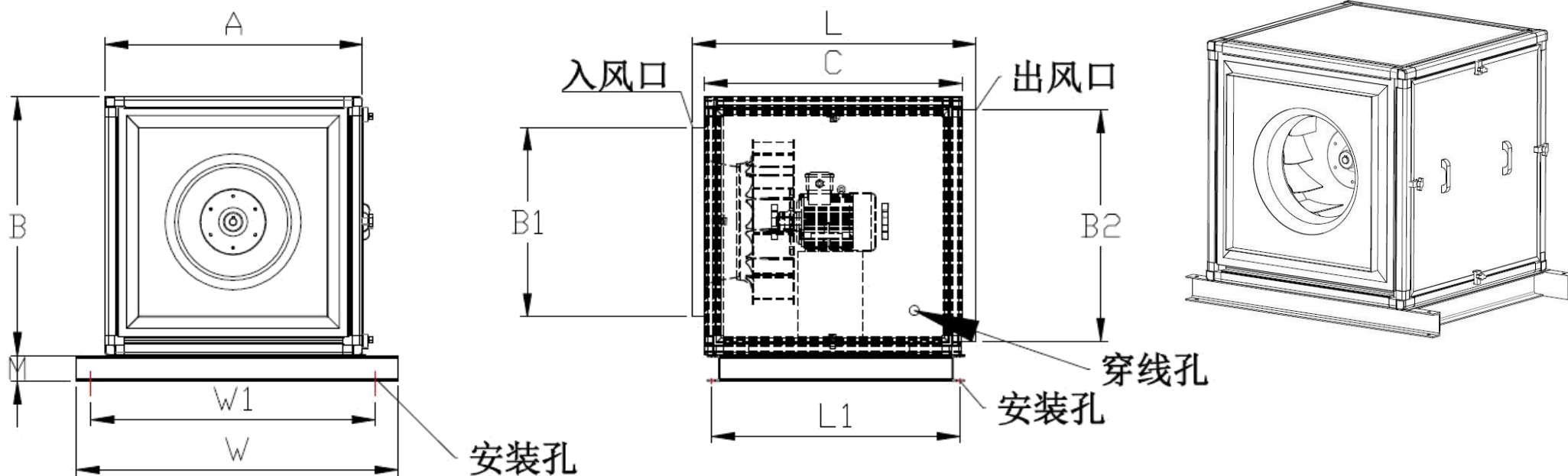


型号Model	外形尺寸Outside Dimension									
	A	B	C	L	L1	W	W1	B1	B2	M
CHA-A-250BS-A-V-X	400	400	400	470	273	527	467	320	320	52
CHA-A-280BS-A-V-X	430	430	430	500	303	557	497	350	350	52
CHA-A-315BS-A-V-X	480	480	480	550	353	607	537	385	400	52
CHA-A-355BS-A-V-X	540	540	549	610	412	667	607	435	460	52
CHA-A-400BS-A-V-X	610	610	610	680	482	737	677	480	530	52
CHA-A-450BS-A-V-X	700	700	700	770	572	827	767	535	620	52
CHA-A-500BS-A-V-X	800	800	800	870	715	927	867	585	720	52
CHA-A-560BS-A-V-X	900	900	900	970	815	1029	969	645	820	52
CHA-A-630BS-A-V-X	1000	1000	1000	1120	914	1129	1069	725	920	52
CHA-A-710BS-A-V-X	1100	1100	1100	1220	789	1229	1169	795	1020	52

We have the right to change the engineering data, design and dimension without prior notice.

CHA Voluteless Blower

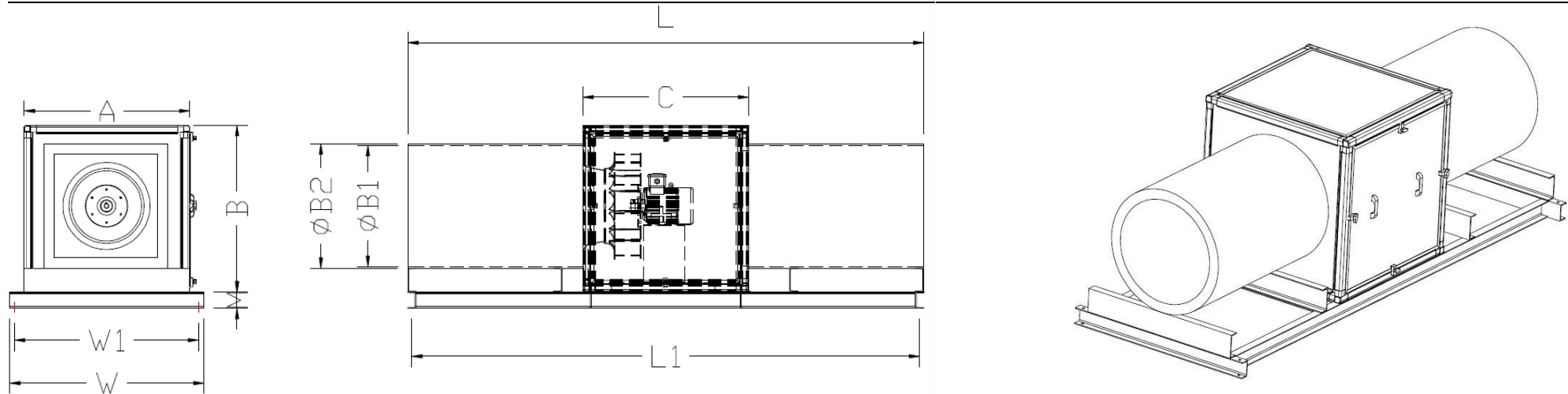
CHA-A-XXXBS-A-V-X Dimension (800-1000)



型号Model	外形尺寸Outside Dimension									
	A	B	C	L	L1	W	W1	B1	B2	M
CHA-A-800BS-A-V-X	1200	1200	1200	1270	1160	1400	1300	895	1120	80
CHA-A-900BS-A-V-X	1300	1300	1300	1370	1260	1500	1400	1000	1220	100
CHA-A-1000BS-A-V-X	1400	1400	1400	1470	1360	1600	1500	1100	1320	100

We have the right to change the engineering data, design and dimension without prior notice

CHA-S-XXXBS-A-V-X Dimension

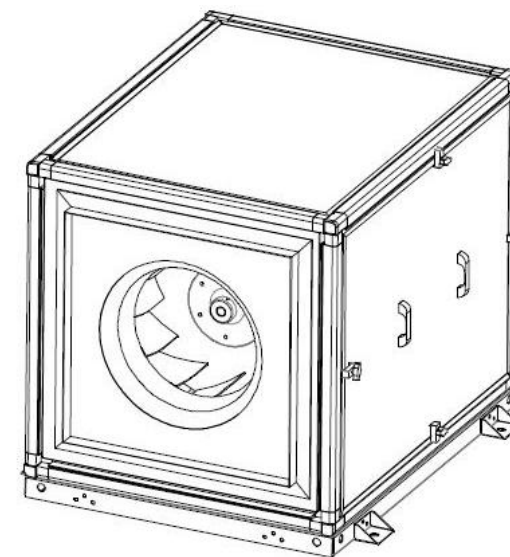
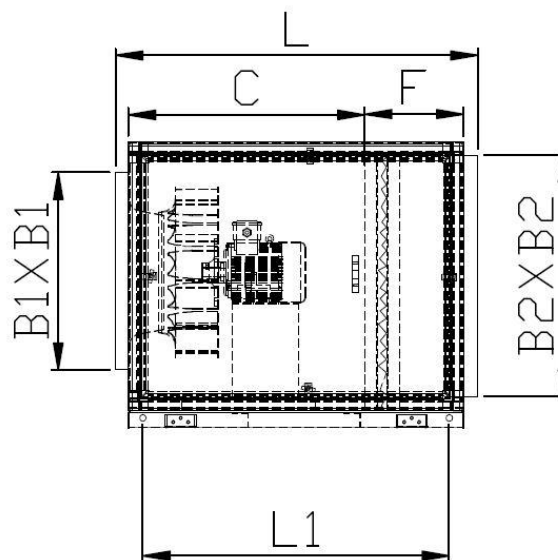
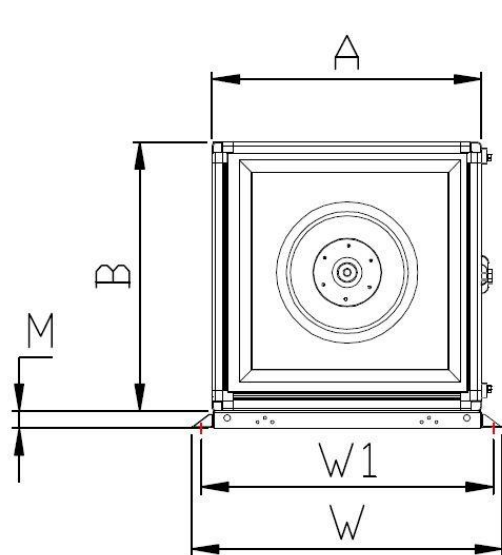


型号Model	外形尺寸Outside Dimension									
	A	B	C	L	L1	W	W1	ØB1	ØB2	M
CHA-S-250BS-A-V-X	400	400	400	1500	1350	610	560	250	350	50
CHA-S-280BS-A-V-X	430	430	430	1530	1380	640	590	280	380	50
CHA-S-315BS-A-V-X	480	480	480	1580	1430	690	640	315	415	60
CHA-S-355BS-A-V-X	540	540	540	1640	1490	750	700	355	455	60
CHA-S-400BS-A-V-X	610	610	610	1710	1560	820	770	400	500	60
CHA-S-450BS-A-V-X	680	680	680	2380	2230	890	840	450	550	80
CHA-S-500BS-A-V-X	760	760	760	2460	2310	970	920	500	600	80
CHA-S-560BS-A-V-X	860	860	1060	2820	2670	1070	1020	560	660	80
CHA-S-630BS-A-V-X	920	920	1120	3220	3070	1130	1080	630	730	80
CHA-S-710BS-A-V-X	980	980	1180	3280	3130	1190	1140	710	810	80
CHA-S-800BS-A-V-X	1037	1037	1237	3337	3187	1247	1197	800	900	100
CHA-S-900BS-A-V-X	1250	1250	1450	3950	3800	1470	1410	900	1000	100
CHA-S-1000BS-A-V-X	1400	1400	1600	4100	3950	1620	1560	1000	1100	100

We have the right to change the engineering data, design and dimension without prior notice

CHA Voluteless Blower

CHA-G/F/GF-XXXBS-A-V-X Dimension (250-710)

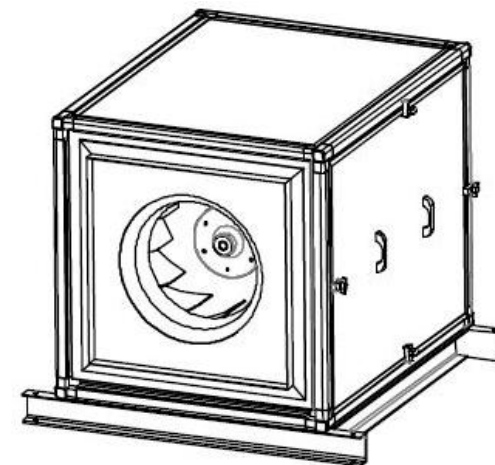
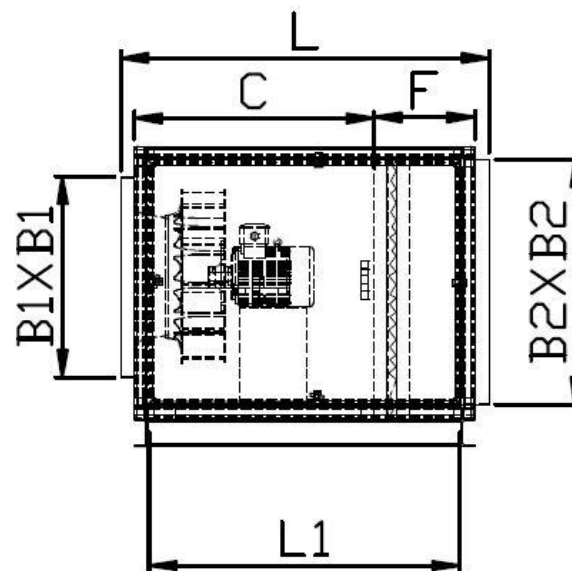
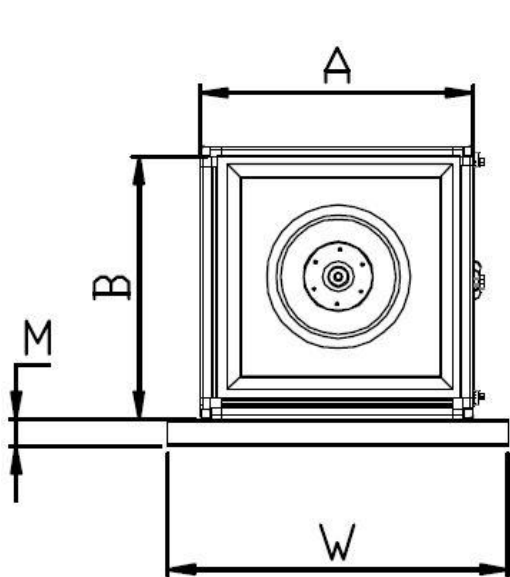


型号Model	外形尺寸Outside Dimension														
	A	B	C	B1	B2	W	W1	M	F(G/F/H)	L(G/F/H)	L1(G/F/H)	F(GF/FH)	L(GF/FH)	L1(GF/FH)	If it is Bag Filter L and L1 will increase
CHA-G/F/H/GF/HF-250BS-A-V-X	400	400	400	320	320	527	467	52	150	610	473	500	960	673	400
CHA-G/F/H/GF/HF-280BS-A-V-X	430	430	430	350	350	557	497	52	150	640	503	500	990	703	
CHA-G/F/H/GF/HF-315BS-A-V-X	480	480	480	385	400	607	537	52	150	690	553	500	1040	753	
CHA-G/F/H/GF/HF-355BS-A-V-X	540	540	540	435	460	667	607	52	150	750	612	500	1100	812	450
CHA-G/F/H/GF/HF-400BS-A-V-X	610	610	610	480	530	737	677	52	150	820	682	600	1270	882	
CHA-G/F/H/GF/HF-450BS-A-V-X	680	680	680	535	600	827	767	52	150	890	772	600	1340	972	
CHA-G/F/H/GF/HF-500BS-A-V-X	760	760	760	585	680	927	867	52	150	970	915	600	1420	1115	500
CHA-G/F/H/GF/HF-560BS-A-V-X	860	860	1060	645	780	1029	969	52	150	1270	1015	600	1720	1215	
CHA-G/F/H/GF/HF-630BS-A-V-X	920	920	1120	725	840	1129	1069	52	200	1380	1114	600	1780	1314	
CHA-G/F/H/GF/HF-710BS-A-V-X	980	980	1180	795	900	1229	1169	52	200	1440	989	700	1940	1189	

We have the right to change the engineering data, design and dimension without prior notice

CHA Voluteless Blower

CHA-G/F/GF-XXXBS-A-V-X Dimension(800-1000)



型号Model	外形尺寸Outside Dimension														If it is Bag Filter L and L1 will increase the values
	A	B	C	B1	B2	W	W1	M	F(G/F/H)	L(G/F/H)	L1(G/F/H)	F(GF)	L(GF/FH)	L1(GF/FH)	
CHA-G/F/H/GF/HF-800BS-A-V-X	1040	1040	1240	895	960	1207	1157	100	200	1497	1387	700	1997	1887	500
CHA-G/F/H/GF/HF-900BS-A-V-X	1250	1250	1450	1000	1170	1430	1370	100	200	1710	1600	700	2210	2100	
CHA-G/F/H/GF/HF-1000BS-A-V-X	1400	1400	1600	1100	1320	1580	1520	100	200	1860	1750	700	2360	2250	

We have the right to change the engineering data, design and dimension without prior notice

CHA Voluteless Blower

Usage Description

1. The fan is mainly use in delivering the clean air without the place that with easy burning materials, explosive materials and powder
2. The fan is fed with external rotor machine and sealed ball bearing. It is free maintenance.
3. If the fan install in the damping and sobering area, continuous operation is required for the fan.
4. The fan can be installed in the outdoor or damp environment with drainage system.
5. All the fans are feeding with international standard motors, which are single phase 120V, 60Hz or 220V, 50Hz and three phases 380V, 50Hz
6. Installation is available in any areas

Installation

1. Must be install according to the air flow marking
2. Must be connect to the piping or equip with safety accessories
3. Must be installing in a proper way and make sure the outlet is without any unusual materials.
4. Try to installing the fan as easy as for the maintenance purpose
5. Fan required flanges in order to avoid the piping damage when vibrated
6. Speed controller or transformer is available to connect to the fan
7. Wiring diagram is in the package.
8. Wiring must be strictly following the wiring diagram.
9. Electrical Installation must be done by professional technicians.
10. Electrical Installation must be connecting in the special control box.

Operation

Before operation, please make sure

1. The real maximum current cannot be exceed the National standard index:+5%.
2. The voltage pulsation is between +6% --+10%
3. No exceptional noise produce when operation.
4. The rotating direction for three phase motor is the same as the marking

Maintenance

1. Before repair or maintenance the fan, please make sure the fan is stop and the fan is not working in overload condition
2. When disassemble the larger fan, please care for the weight to avoid blocking and scratching

3. Cleaning the fan once a year, so that it can keep the function and avoid the unnecessary damage.
4. Ball bearing is free maintenance except for the necessary updates.
5. When cleaning the fan, please do not use the high pressure washer or strong solvent, and do not take out the damaging impeller
6. Make sure the fan is operating without any noise

Failure detection

1. Make sure the fan is in the load condition.
2. Verify the impeller is without block.
3. Please do check with the heat-variable switch and motor protector. If the switch is not in connected, please do check it. If its need to restart makes sure the power supply is cut off in a few minutes until the rated current is not higher than 1.6A. If the motor has the heat protector, it will automatically reset after cool down.
4. Make sure the capacitor is connected according to the wiring diagram.
5. Please change the capacitor at the first time when the fan is not work.
6. Please contact the distributor if the fan is still not work
7. When send back the fan to the distributor, please clean it and make sure the cables are

Guarantee

The guarantee is valid only with the guideline of this manual.

Noise level test method

1m/45° free zone, without connect the ducting noise data.



CHA Voluteless Blower

Company Introduction

We are a China based business owned and operated by its management team. We specialize in air movement and have experience gained more than ten years of operation with worldwide predecessors. We service the ventilation equipment needs of customers ranging from HVAC through mining, manufacturing, construction, and agriculture as well as retail end users include Tianjin and Suzhou retail stores. We adapt ISO9001 quality system to ensure our customers are using best products.

Capabilities and Services

1. Fan and Blower design and manufacture
2. Fully performance tested products and published data
3. In-house design engineering team
4. Scale and capacity to handle any size project
5. Servicing overseas markets with built products and OEM supply
6. Sales and after sales support teams

Certification:



PROCUREMENT SERVICES FROM

B D F S

BuyDirectFromSuppliers.com
Manufactured in Mexico-China-Brazil-USA-Bahrain

Brent Gilbertson Mobile: 678-361-5559
Managing Partner/Founder Brent@BuyDirectFromSuppliers.com