

PROCUREMENT SERVICES FROM

B D F S

BuyDirectFromSuppliers.com

Manufactured in Mexico-China-Brazil-USA-Bahrain

Kitchen Hoods - HVAC - Tables - Chairs -

Sourcing - Glassware - Restaurant Decor Packages

Brent Gilbertson

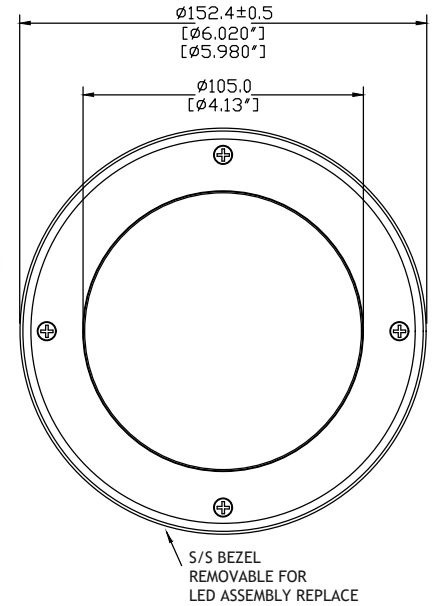
Mobile: 678-361-5559

Managing Partner / Founder

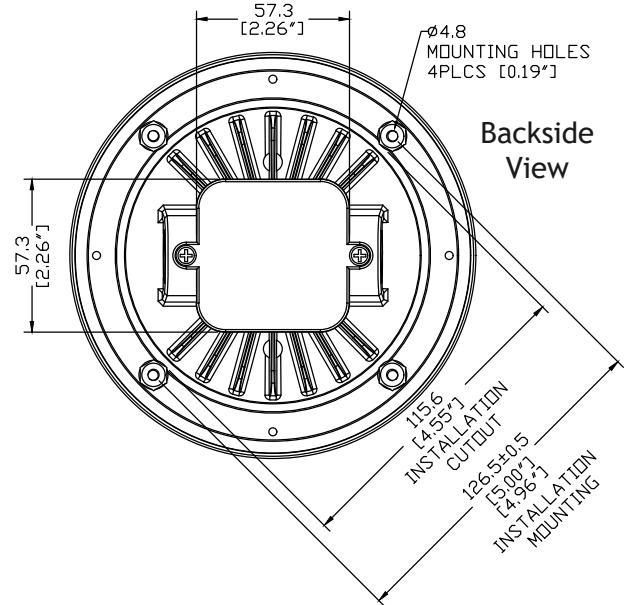
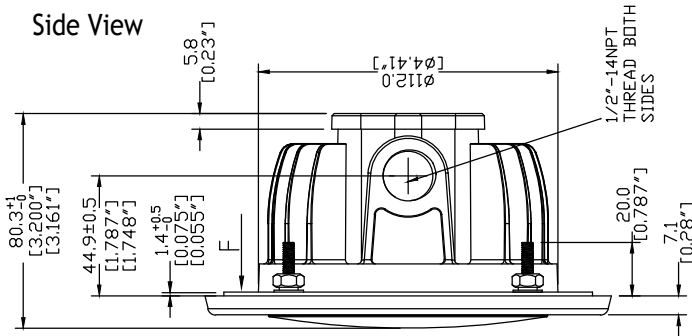
Brent@BuyDirectFromSuppliers.com



Top View



Side View



Commercial Kitchen LED Hood Lamp

- Gaskets permanently affixed save installation time
- Designed for convenient installation to pre-wired hoods
- Greaseproof, waterproof and heatproof construction
- Aluminum fixtures are furnished with a brushed finish
- UL, ETL, NSF, ES, ROHS and Energy Star
- Feature allows for quick installation
- Saves up to 80% of the energy of an equivalent incandescent bulb
- When installed on 36" centers, provides 50 foot-candles to typical cooking surface for exhaust hoods mounted at 84" A.F.F.
- Suitable for dry and wet locations
- Life expectancy is 50,000 hours, approximately 50 times longer than typical incandescent 100W bulbs
- 120v 60Hz 16W-3500K(Warm White) with Clear Tempered Glass
- Dimmer option available with dimmable power supplies